

1. General

operating temperature:	-40°C to +85°C	component weight [g]:	2
storage temperature:	-40°C to +85°C		
contact:	PIN	housing color:	black
packageing:	tray	IP rating:	n.a.
ESD conform	<input checked="" type="checkbox"/>	RoHs conform:	yes
remark:			

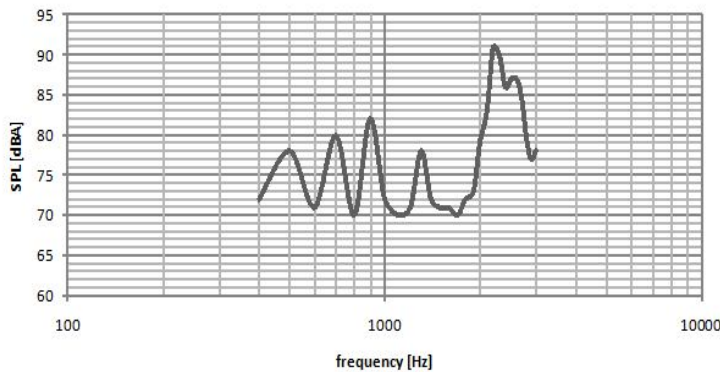


2. Electrical and acoustical specification

DC resistance [ $\Omega$ ]		140 ± 12
Impedance [ $\Omega$ ]	2400Hz, square wave, test current 60 $\mu$ A	240
Resonance frequency [Hz]		2400 ± 200
Rated voltage [Vop]	V op	12
Operating voltage [Vop]	V op	7 - 16
SPL [dBA]:	in 10cm distance, f = 2400 Hz, 12Vop, 50% duty cycle	≥ 85
Current consumption [mA]	f = 2400 Hz, 12Vop, 50% duty cycle	≤ 40

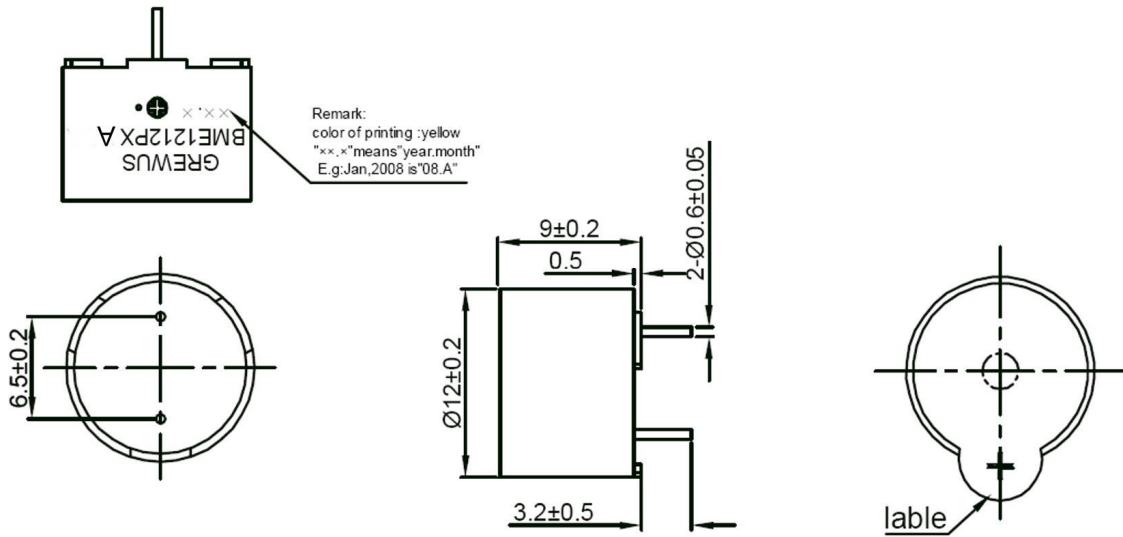
Remark:

Frequency curve



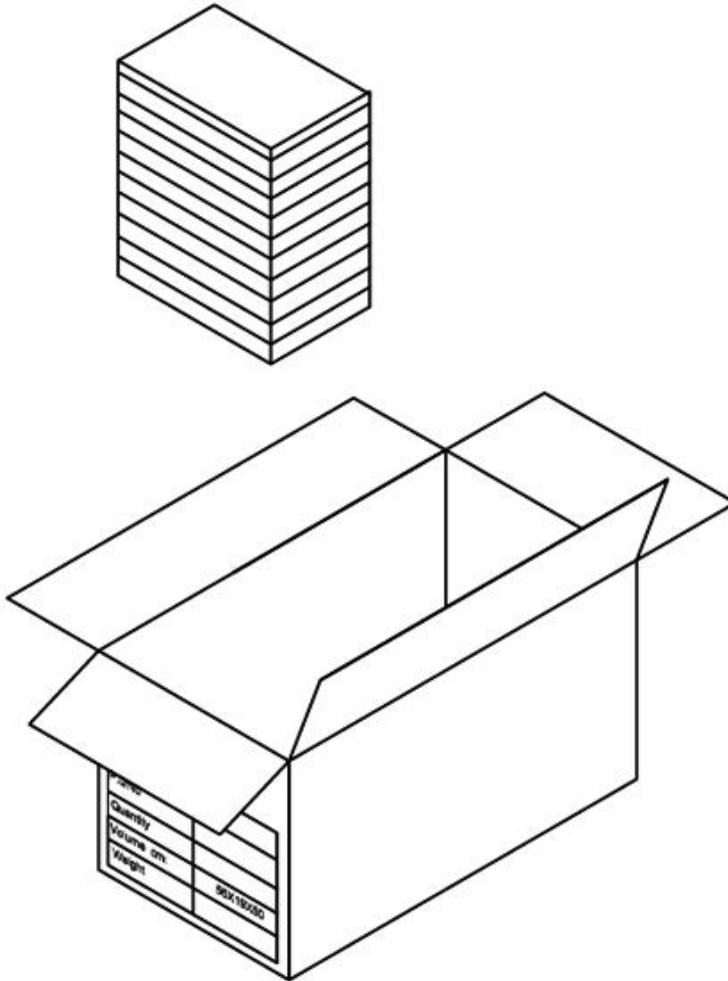
<b>GREWUS</b>		dimensions without tolerance:	± 0.3	scale:	
Designed by:	Ralf Hinnerichs	25.04.2008	part number: <b>BME1212PX-WLA</b>	index:	Date:
Released by:	Ralf Hinnerichs	25.04.2008		<b>A</b>	25.04.2008
drawing number: <b>395634186</b>			<b>Buzzer</b>	Page 1 of 3	

3. Component drawing



<b>GREWUS</b>		dimensions without tolerance: ± 0.3	scale:	
Designed by: Ralf Hinnerichs	25.04.2008	part number: <b>BME1212PX-WLA</b>	index:	Date:
Released by: Ralf Hinnerichs	25.04.2008		<b>A</b>	25.04.2008
drawing number: <b>395634186</b>		<b>Buzzer</b>	Page 2 of 3	

4. Packageing drawing



**Carton**

Size: 50 x 27 x 26 cm

Smalest unit:

Quantity: 3000 pcs / carton

quantity smalest unit: 100 pcs / tray

Weight:

further packageing information: 30 trays / carton

<b>GREWUS</b>		dimensions without tolerance: ± 0.3	scale:	
Designed by: Ralf Hinnerichs	25.04.2008	part number: <b>BME1212PX-WLA</b>	index:	Date:
Released by: Ralf Hinnerichs	25.04.2008		<b>A</b>	25.04.2008
drawing number: <b>395634186</b>		<b>Buzzer</b>		Page 3 of 3