

**1. General**

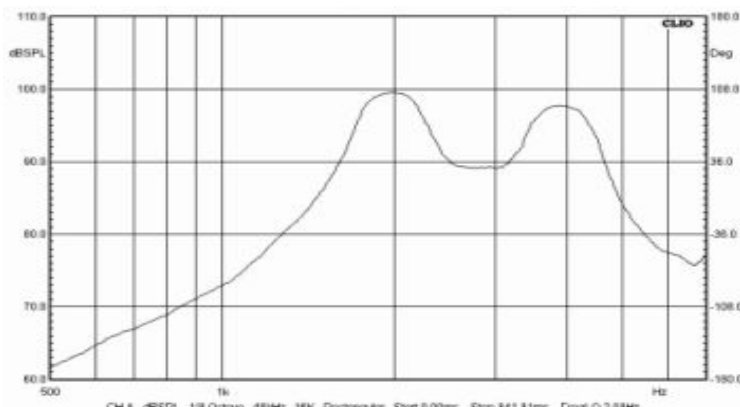
operating temperature:	-40°C to +100°C	component weight [g]:	7
storage temperature:	-40°C to +100°C	packageing:	tray
contact:	PIN	IP rating:	
housing color:	black	RoHs conform:	yes
remark:	two noses, white dot		
ESD conform	<input checked="" type="checkbox"/>		



**2. Electrical and acoustical specification**

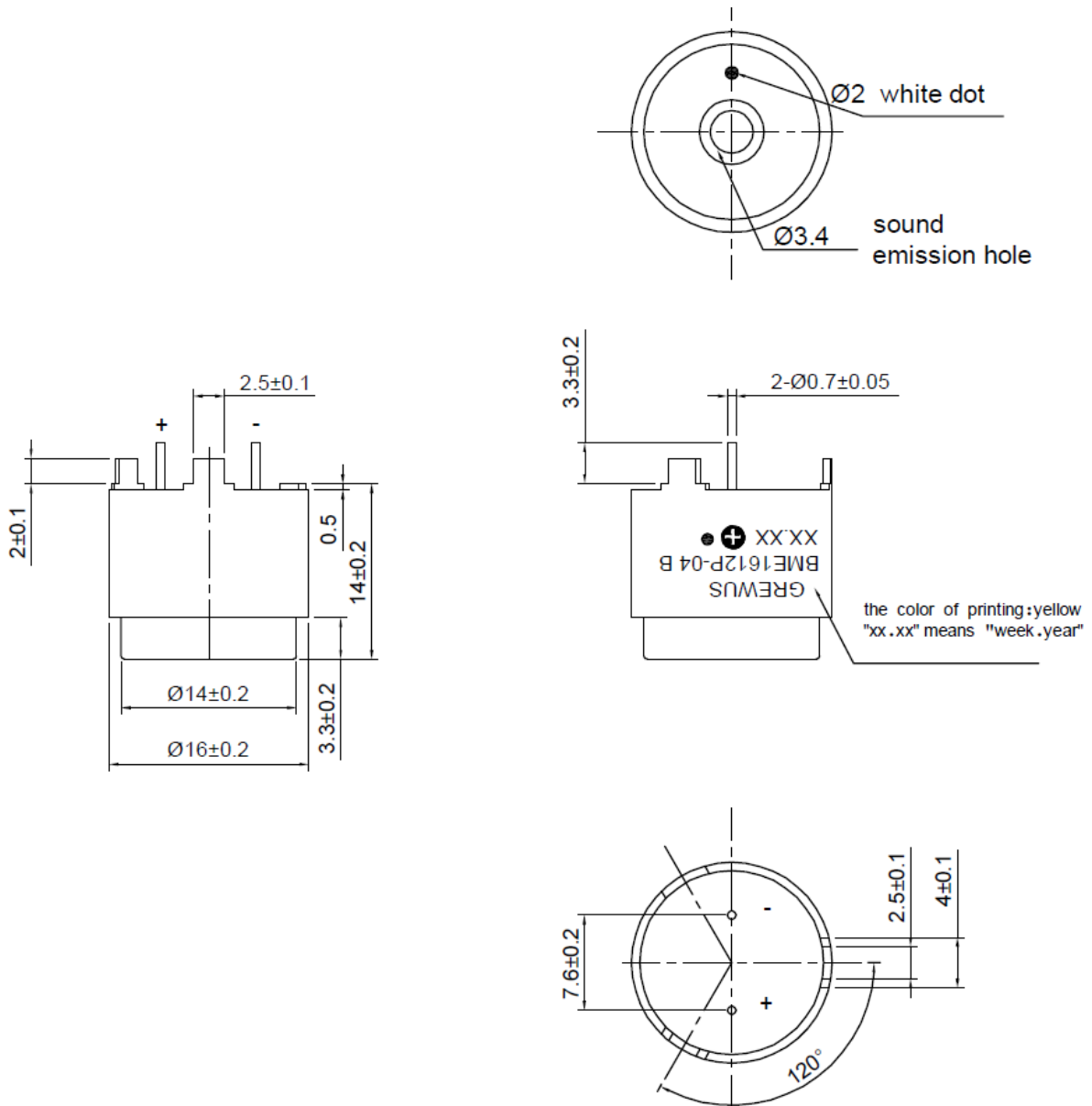
DC resistance [Ω]		115±15
Impedance [Ω]	with sine wave, 2048Hz, 60uA current	200
Resonant frequency [Hz]		2048
Rated voltage [V]	V <sub>op</sub>	12
Operating voltage [V]		6 - 18
SPL [dBA]:	at 10cm, 12V <sub>op</sub> , 2048Hz	98 ± 3
Current consumption [mA]	at 10cm, 12V <sub>op</sub> , 2048Hz	< 40
Remark:	Further test points: f = 2400Hz SPL ≥ 87dBA and f = 1600Hz ≥ 77dBA	

Frequency curve



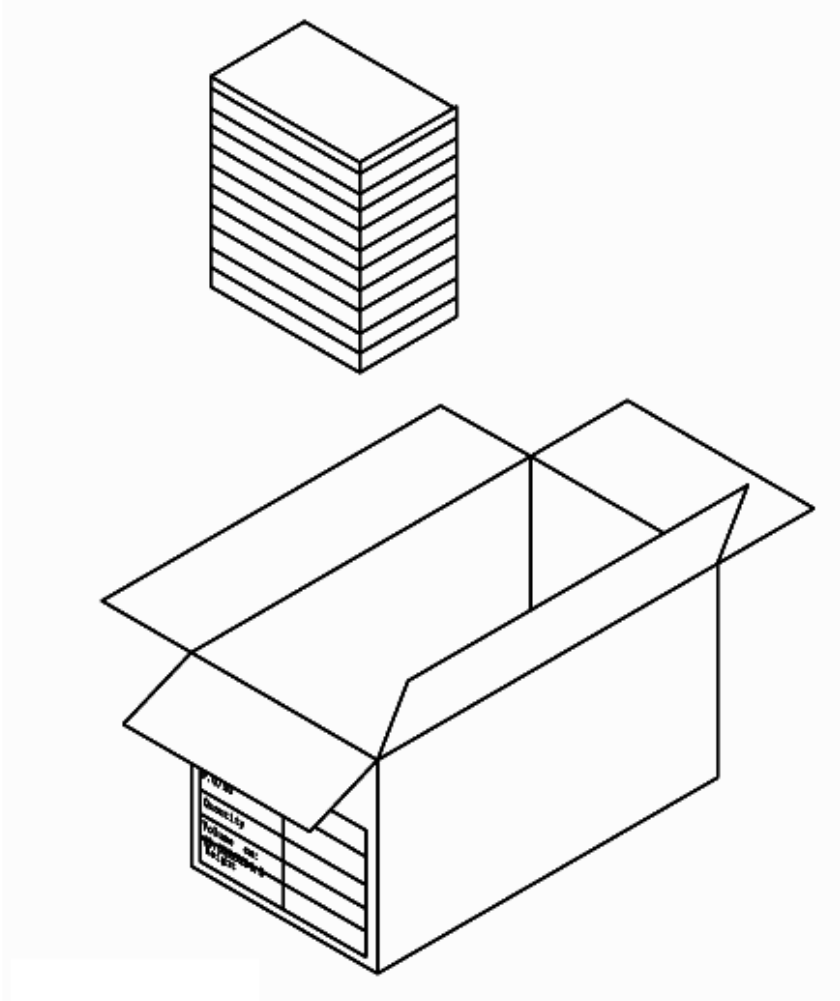
<b>GREWUS</b>		dimensions without tolerance:	scale:	
Designed by:	Ralf Hinnerichs	31.01.2011	part number:	index:
Released by:	Ralf Hinnerichs	31.01.2011	<b>BME1612P-04B</b>	<b>B</b>
drawing number: <b>405744571</b>			<b>Buzzer</b>	Date: 31.01.2011
				Page 1 of 3

3. Component drawing



<b>GREWUS</b>		dimensions without tolerance:	scale:	
Designed by: Ralf Hinnerichs	31.01.2011	part number:	index:	Date:
Released by: Ralf Hinnerichs	31.01.2011	<b>BME1612P-04B</b>	<b>B</b>	31.01.2011
drawing number: <b>405744571</b>		<b>Buzzer</b>		Page 2 of 3

4. Packageing drawing



Carton

Size: 66x36x28cm

Smalest unit:

Quantity: 2000

quantity smalest unit: 50 pcs / tray

Weight:

further packageing information: 40 trays / carton

<b>GREWUS</b>		dimensions without tolerance:	scale:	
Designed by: Ralf Hinnerichs	31.01.2011	part number: <b>BME1612P-04B</b>	index:	Date:
Released by: Ralf Hinnerichs	31.01.2011		<b>B</b>	31.01.2011
drawing number: 405744571		<b>Buzzer</b>	Page 3 of 3	