

Component specification

BME1612P-05D

Index D

Buzzer

MBWOE

1. General

operating temperature:	-40°C to +100°C	component weight [g]:	7
storage temperature:	-40°C to +100°C	packageing:	tray
contact:	PIN	IP rating:	
housing color:	black	RoHs conform:	yes
remark:	3 clips, high temperature, modify housing to improve membrane position and movement, two soldering dots		
ESD conform	<input checked="" type="checkbox"/>		

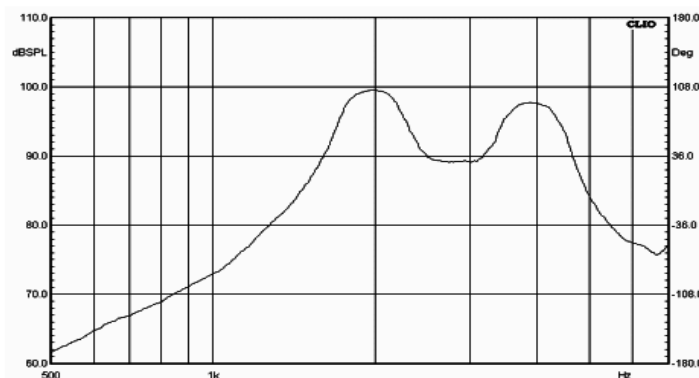


2. Electrical and acoustical specification

DC resistance [Ω]		115±15
Impedance [Ω]	with sine wave, 2048Hz, 60uA current	200
Resonant frequency [Hz]		2048
Rated voltage [V]	V_{op}	12
Operating voltage [V]		6 - 18
SPL [dBA]:	at 10cm, 12Vop, 2048Hz	98 ± 3
Current consumption [mA]	at 10cm, 12Vop, 2048Hz	< 40

Remark:

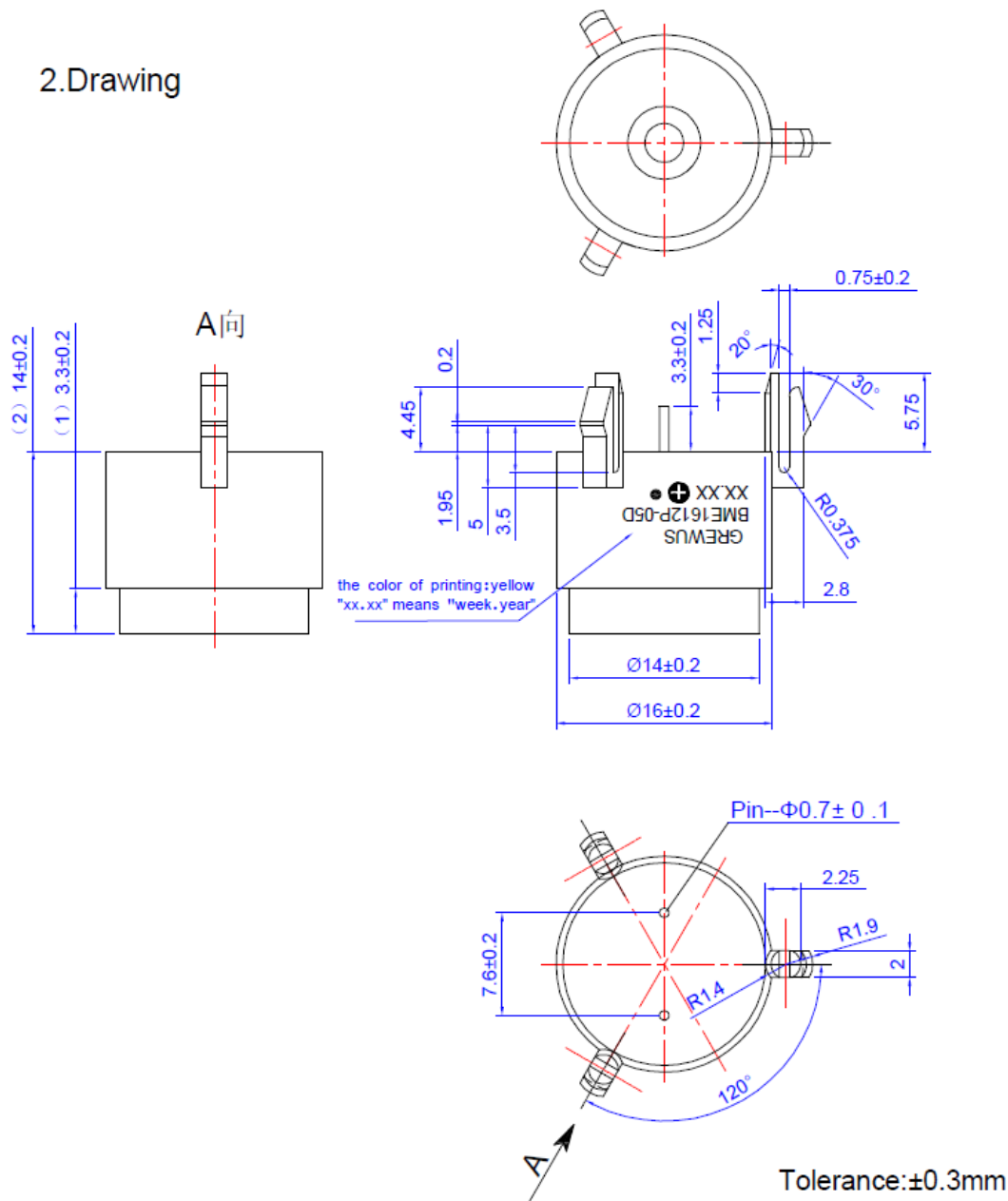
Frequency curve



GREWUS		dimensions without tolerance:	scale:	
Designed by:	Ralf Hinnerichs	30.08.2007	index:	Date:
Released by:	Ralf Hinnerichs	30.08.2007	D	31.01.2011
drawing number: 405744777		BME1612P-05D	Buzzer	Page 1 of 3

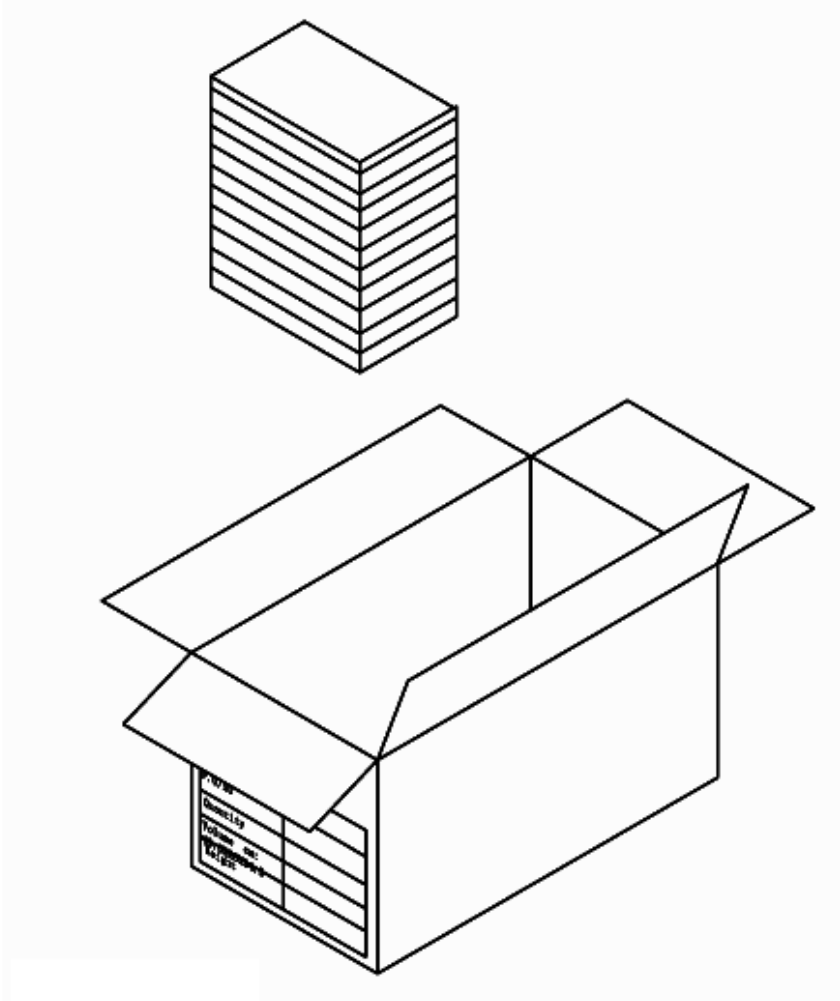
3. Component drawing

2.Drawing



GREWUS		dimensions without tolerance:	scale:	
Designed by: Ralf Hinnerichs	30.08.2007	part number: BME1612P-05D	index:	Date:
Released by: Ralf Hinnerichs	30.08.2007		D	31.01.2011
drawing number: 405744777		Buzzer		Page 2 of 3

4. Packageing drawing



Carton

Size: 66x36x28cm

Smalest unit:

Quantity: 2000

quantity smalest unit: 50 pcs / tray

Weight:

further packageing information: 40 trays carton

GREWUS		dimensions without tolerance:	scale:	
Designed by: Ralf Hinnerichs	30.08.2007	part number: BME1612P-05D	index:	Date:
Released by: Ralf Hinnerichs	30.08.2007		D	31.01.2011
drawing number: 405744777		Buzzer	Page 3 of 3	