

Content



1. General

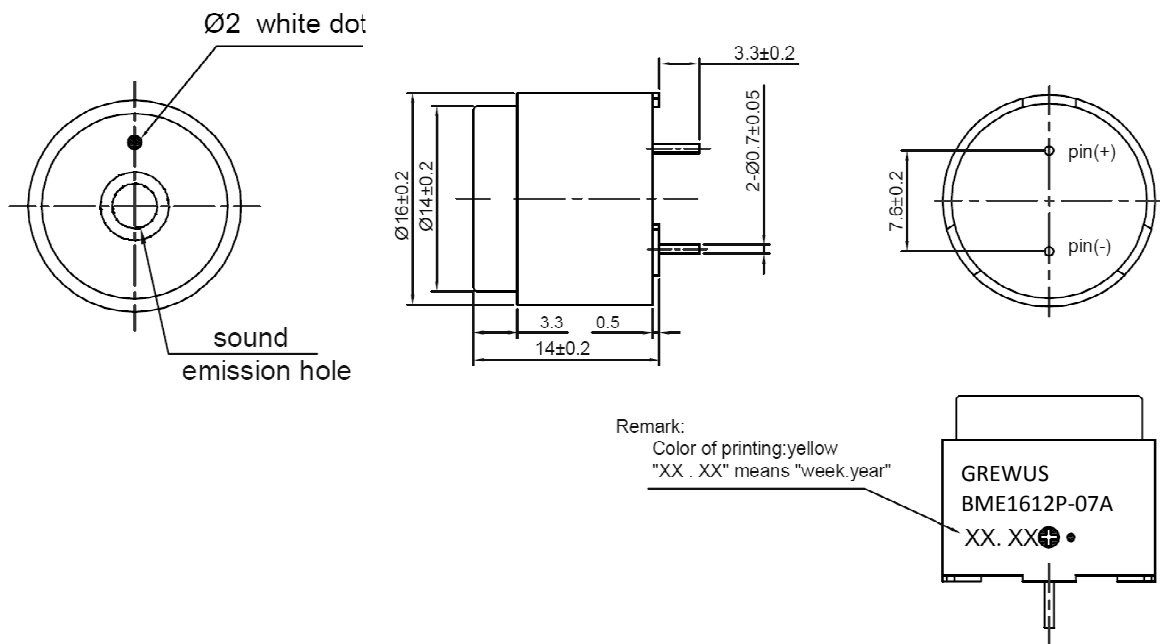
Operating temperature: -40°C to +100°C component weight [g]: 7
 Storage temperature: -40°C to +100°C
 Contact: PIN housing color: black
 Packageing: tray IP rating:
 ESD conform
 RoHs conform: yes
 Remark:
 with white dot on top of housing

2. Electrical and acoustical specification

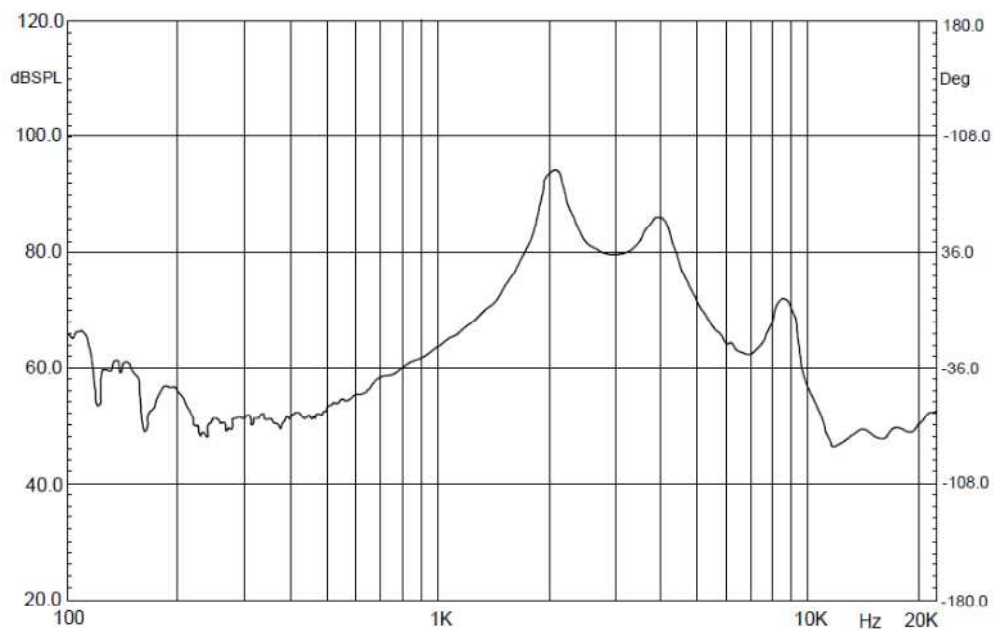
Description	Condition	Value
Operating voltage [Vop]		6...18V
Rated voltage [Vop]		12
Resistance R [Ω]		115 ± 15
Impedance Z [Ω]	Value applying (2048Hz, square wave, measuring current 60μA)	200
SPL1 [dBA]	Value applying rated voltage (2048Hz, 1/2duty, square wave)	98 ± 3
SPL2 [dBA]	Value applying rated voltage (2400Hz, 1/2duty, square wave)	≥ 87
SPL3 [dBA]	Value applying rated voltage (1600Hz, 1/2 duty, square wave)	≥ 77
Resonance frequency [Hz]		2048

GREWUS		dimensions without tolerance:	scale:	
Designed by: Ralf Hinnerichs	13.03.2012	part number: BME1612P-07A	index:	Last update:
Released by: Ralf Hinnerichs	13.03.2012		A	13.03.2012
drawing number: 409817004		Buzzer	Page 1 of 3	

4. Drawing

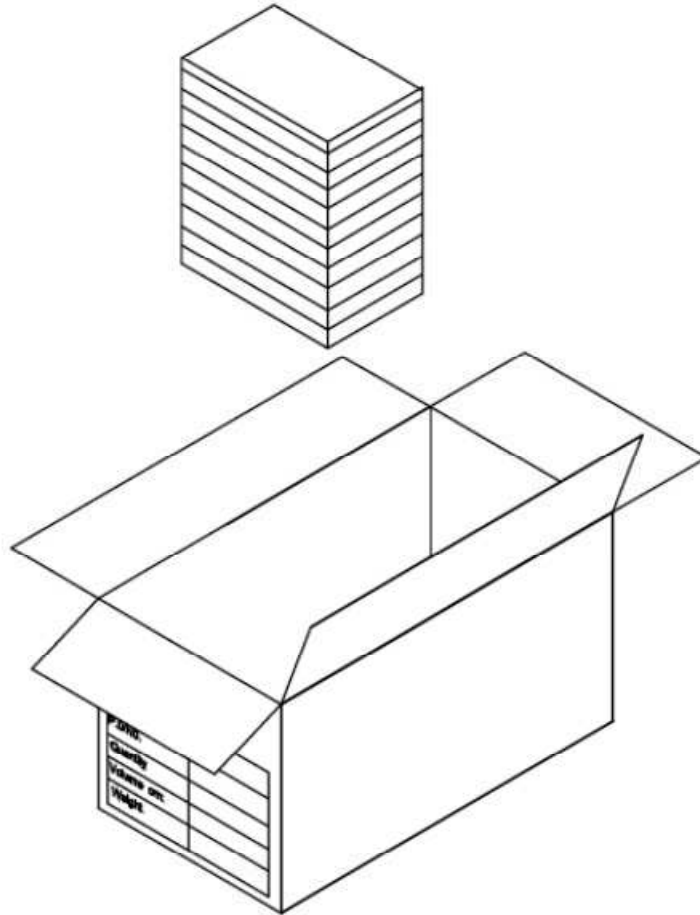


5. Frequency curve 12Vop / 10cm



GREWUS			Dimensions without tolerance ± 0.3	Scale	
Designed by	Hinnerichs	13.03.2012	Part number BME1612P-07A	Index	Date
Released by	Hinnerichs	13.03.2012		A	25.04.2012
Drawing number 409817004				Page	2 of 3

6. Packaging



50 pcs / tray
 40 trays / carton
 2000 pcs / carton
 Carton size 66 x 36 x 28 cm

GREWUS			Dimensions without tolerance ± 0.3	Scale	
Designed by	Hinnerichs	13.03.2012	Part number BME1612P-07A	Index	Date
Released by	Hinnerichs	13.03.2012		A	25.04.2012
Drawing number	409817004			Page	3 of 3