

1. General

operating temperature:	-40°C to +85°C	component weight [g]:	10
storage temperature:	-40°C to +105°C		
contact:	PIN	housing color:	black
packaging:	tray	IP rating:	n.a.
ESD conform	<input checked="" type="checkbox"/>	RoHs conform:	yes
remark:	Housing material PA66 +15%GF, special connector, DC part number on housing		

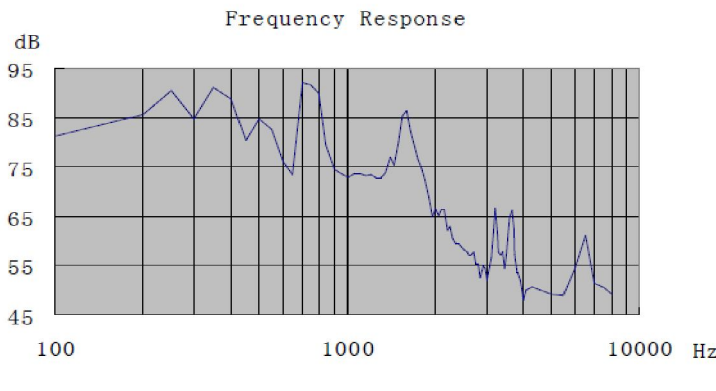


2. Electrical and acoustical specification

DC resistance [Ω]		120 ± 12
Impedance [Ω]	<i>measured with 1kHz, sine wave, 60 μA</i>	155 ± 20%
Resonance frequency [Hz]		740
Rated voltage [V]	<i>V_{op}</i>	12
Operating voltage [V]		8 - 16
SPL [dBA]:	<i>at 740 Hz, 12V_{op} square wave 15% duty cycle</i>	90 ± 3
Current consumption [mA]	<i>at 1000 Hz, 50% duty cycle square wave</i>	≤ 55

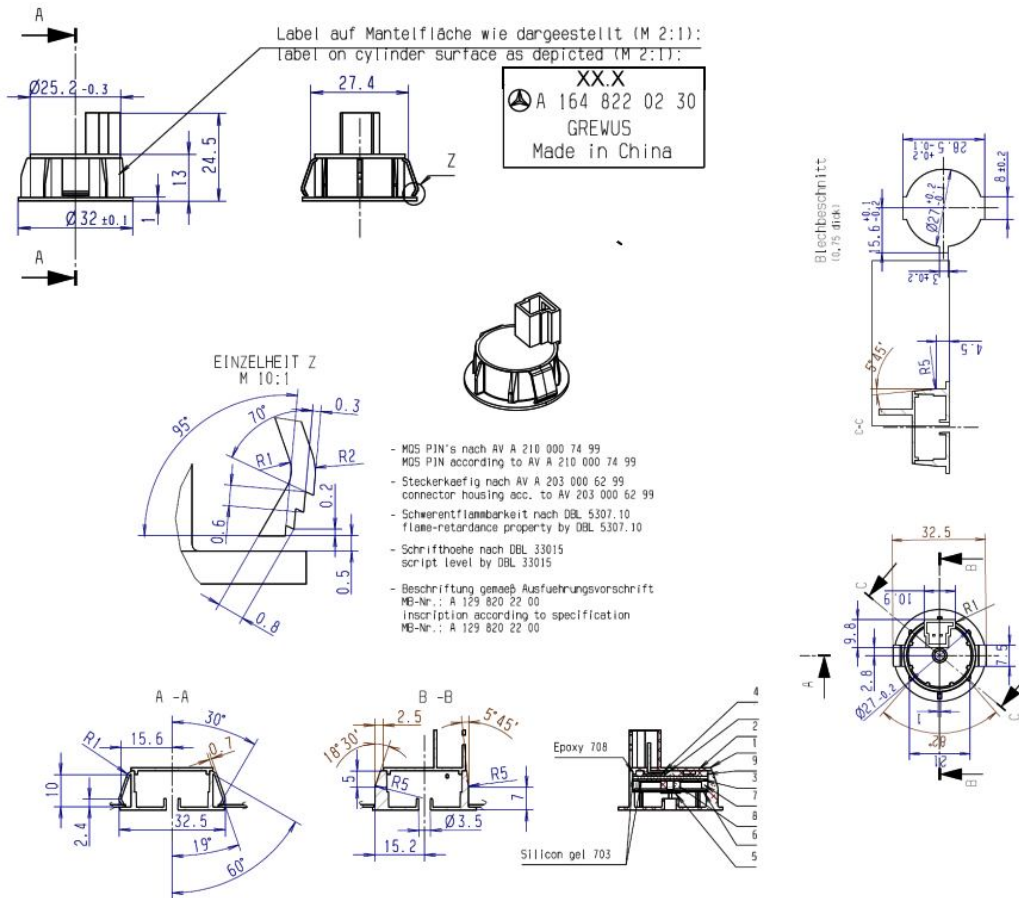
Remark:

Frequency curve



GREWUS		dimensions without tolerance:	± 0.3	scale:	
Designed by:	Ralf Hinnerichs	24.07.2008	part number: BME3212C-01C	index:	Date:
Released by:	Ralf Hinnerichs	24.07.2008		C	06.10.2009
drawing number: 400925430			Buzzer	Page 1 of 3	

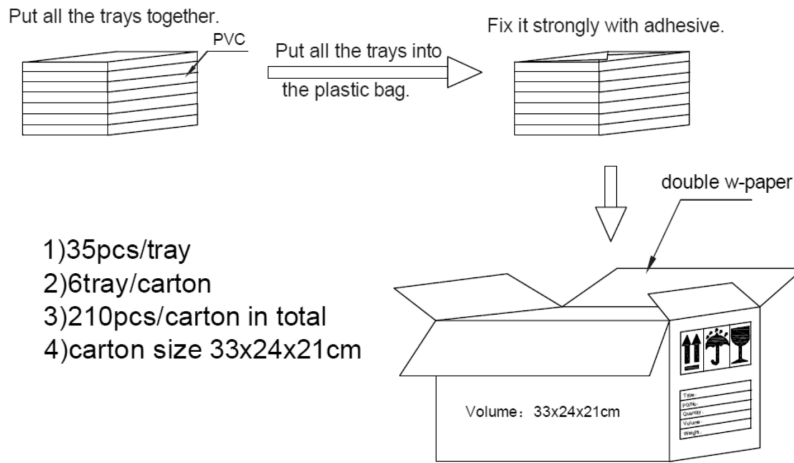
3. Component drawing



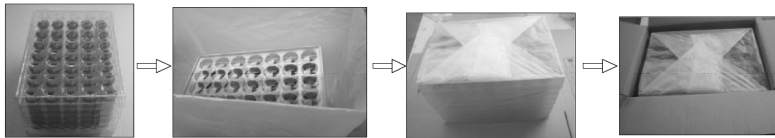
9	PCB	0.5mm	C	BT021-03		1	Stk	Cu30µm covered
8	wire	Ø0.055mm	B	BT021-08	A	1	Stk	QAN/Y/150
7	magnet		B	BT021-08	A	1	Stk	Fe, O, C
6	diaphragm	Ø21.5x0.05mm	A	BT021-07	A	1	Stk	FeNi42
5	magnet piece	Ø6.9x0.66mm	B	BT021-06	A	1	Stk	Fe, Coat: Ni 2µm
4	pin	0.63x0.63mm	B	BT170-03	A	2	Stk	Cu4µm, PbSn7µm
3	yoke	Fe	B	BT021-02	A	1	Stk	Cu10µm, PbSn7µm
2	cover		B	BT170-02	A	1	Stk	PA66+15%GF
1	housing		B	BT170-01	A	1	Stk	PA66+15%GF
Pos.	Benennung	Components	Level	Drawing Number	Rev.	Anzahl	piece	remarks

GREWUS		dimensions without tolerance: ± 0.3		scale:	
Designed by:	Ralf Hinnerichs	24.07.2008	part number:		Date:
Released by:	Ralf Hinnerichs	24.07.2008	BME3212C-01C	C	06.10.2009
drawing number: 400925430			Buzzer		Page 2 of 3

4. Packageing drawing



- 1)35pcs/tray
- 2)6tray/carton
- 3)210pcs/carton in total
- 4)carton size 33x24x21cm



Carton

Size: 33 x 24 x 21 cm

Smalest unit:

Quantity: 210 pcs / carton

quantity smalest unit: 35 pcs / tray

Weight:

further packageing information: 6 trays / carton

GREWUS		dimensions without tolerance: ± 0.3	scale:	
Designed by: Ralf Hinnerichs	24.07.2008	part number: BME3212C-01C	index:	Date:
Released by: Ralf Hinnerichs	24.07.2008		C	06.10.2009
drawing number: 400925430		Buzzer		Page 3 of 3