

1. General

operating temperature:	-20°C to +70°C	component weight [g]:	2
storage temperature:	-40°C to +85°C	housing color:	black
contact:	PIN	IP rating:	
packageing:	tray	RoHs conform:	yes
ESD conform	<input type="checkbox"/>		
remark:			



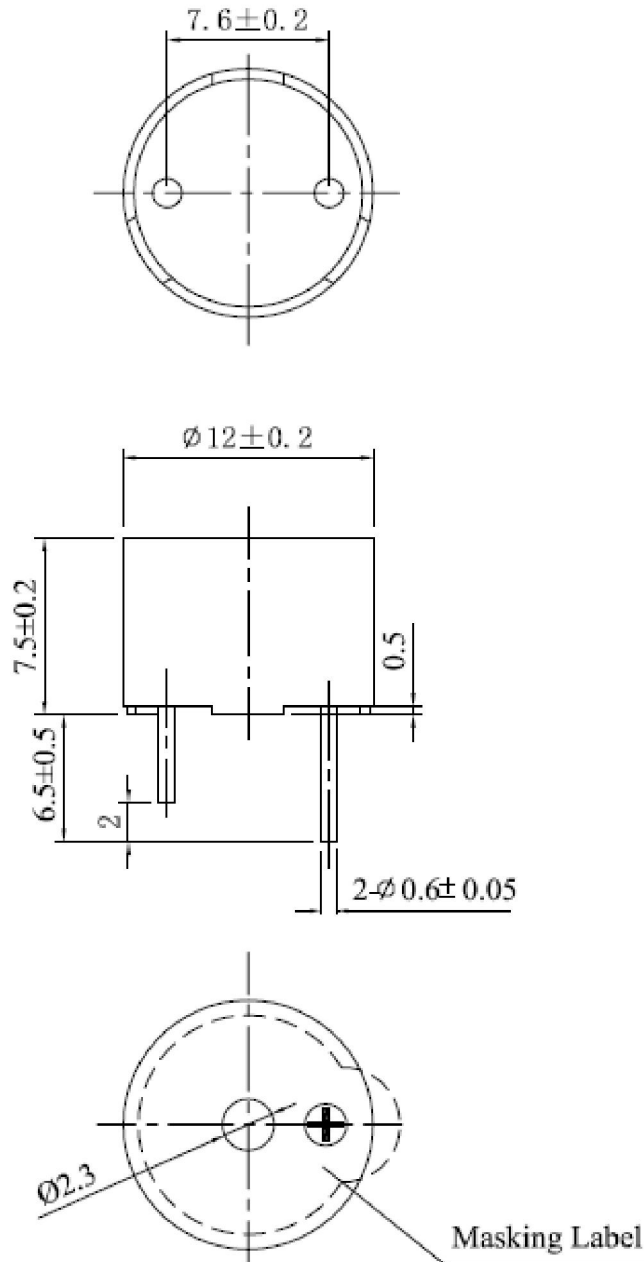
2. Electrical and acoustical specification

SPL [dBA]	<i>with 5V, 10cm distance</i>	≥ 83
Resonant frequency [Hz]		2300 ± 400
Rated voltage [V]	<i>V dc</i>	5
Operating voltage [V]	<i>V dc</i>	3 - 7
Current consumption [mA]	<i>at 5 V dc</i>	≤ 30

Remark:

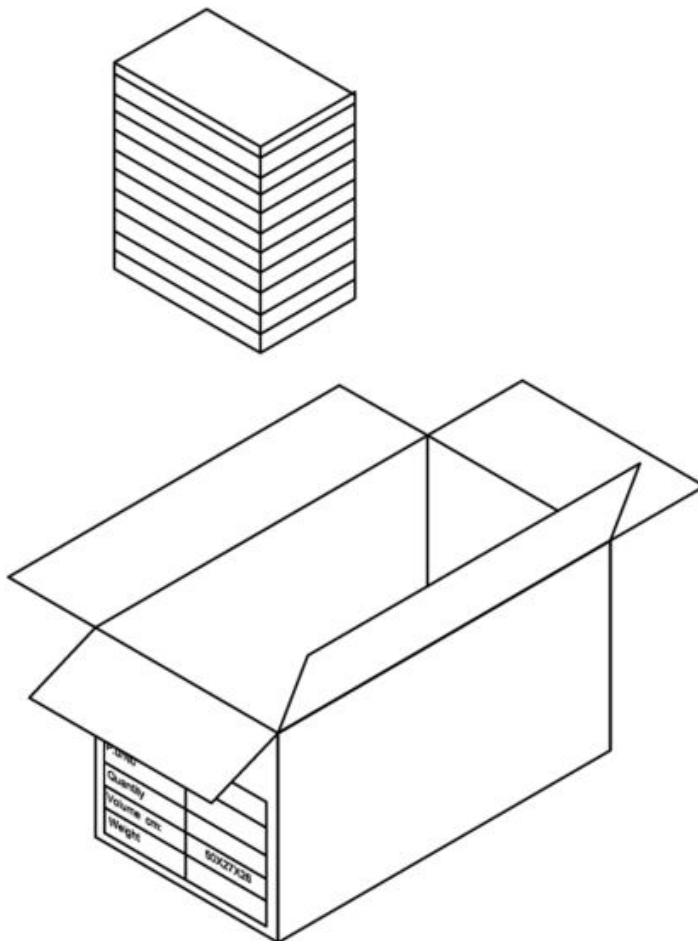
GREWUS		dimensions without tolerance:	scale:	
Designed by: Ralf Hinnerichs	01.10.2008	part number: BMI1206PWLA	index:	Date:
Released by: Ralf Hinnerichs	01.10.2008		A	01.10.2008
drawing number: 397223111		Buzzer	Page 1 of 3	

3. Component drawing



GREWUS		dimensions without tolerance:	scale:	
Designed by: Ralf Hinnerichs	01.10.2008	part number:	index:	Date:
Released by: Ralf Hinnerichs	01.10.2008	BMI1206PWLA	A	01.10.2008
drawing number: 397223111		Buzzer	Page 2 of 3	

4. Packageing drawing



Carton

Size: 50 x 27 x 26cm

Smalest unit:

Quantity: 3000 pcs / carton

quantity smalest unit:

Weight:

further packageing information: 100 pcs / tray, 30 Trays / carton

GREWUS		dimensions without tolerance:	scale:	
Designed by: Ralf Hinnerichs	01.10.2008	part number: BMI1206PWLA	index:	Date:
Released by: Ralf Hinnerichs	01.10.2008		A	01.10.2008
drawing number: 397223111		Buzzer		Page 3 of 3