

1. General

operating temperature:	-40°C to +85°C	component weight [g]:	2
storage temperature:	-40°C to +85°C	housing color:	black
contact:	PIN	IP rating:	
packageing:	tray	RoHs conform:	yes
ESD conform	<input checked="" type="checkbox"/>		
remark:	with washing label		



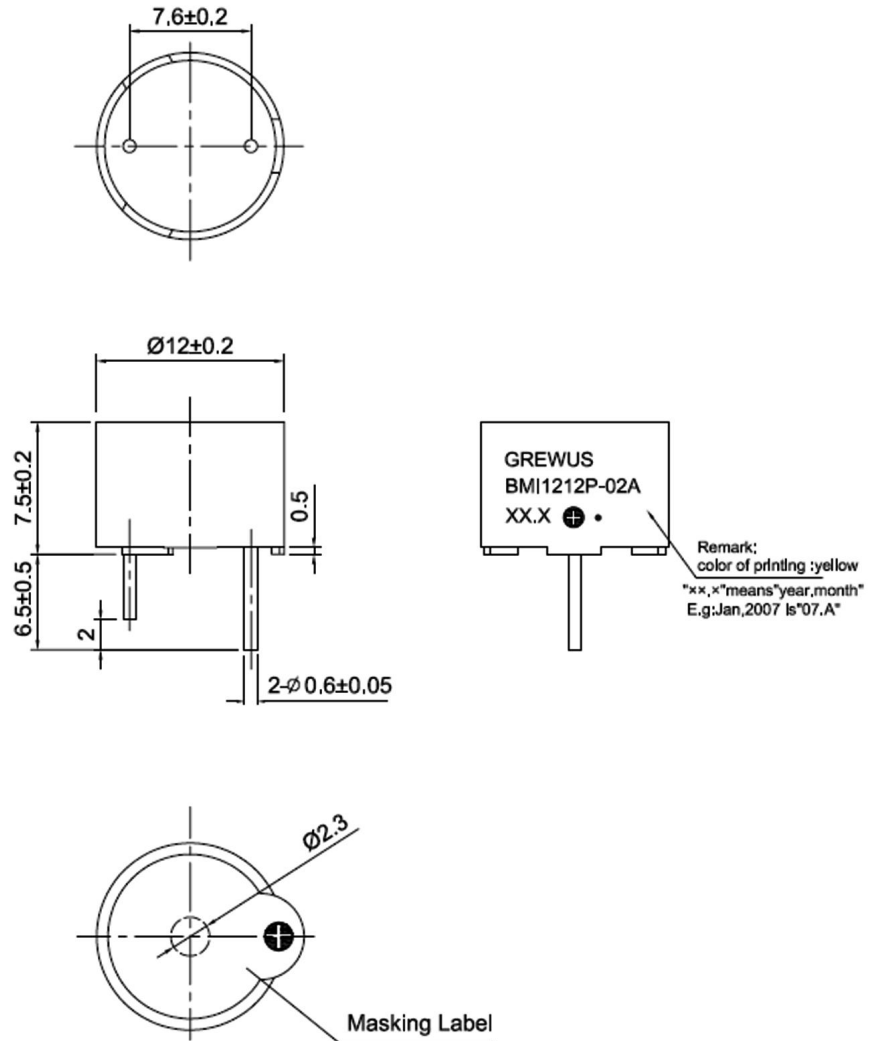
2. Electrical and acoustical specification

SPL [dBA]	<i>with 12V, 10cm distance</i>	≥ 83
Resonant frequency [Hz]		2300 ± 400
Rated voltage [V]	<i>V dc</i>	12
Operating voltage [V]		9 - 18
Current consumption [mA]		≤ 30

Remark:

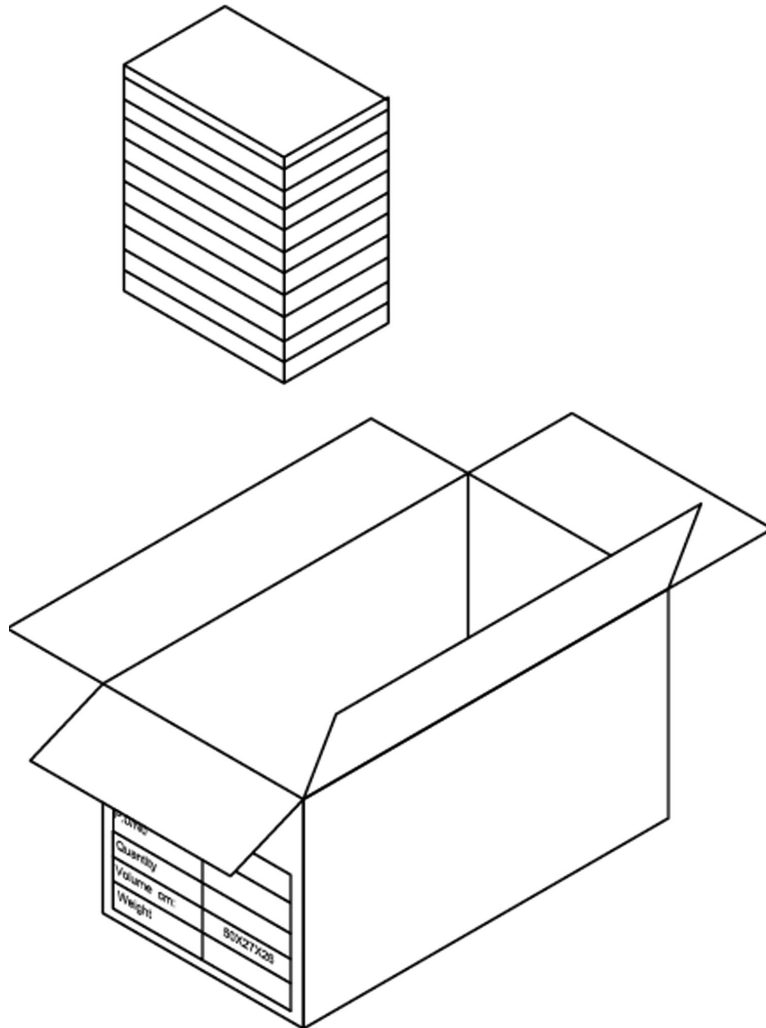
GREWUS		dimensions without tolerance:	scale:		
Designed by:	Ralf Hinnerichs	16.10.2007	part number: BMI1212P-02WLA	index:	Date:
Released by:	Ralf Hinnerichs	16.10.2007		A	31.01.2008
drawing number: 393716798			Buzzer	Page 1 of 3	

3. Component drawing



GREWUS		dimensions without tolerance:	scale:	
Designed by: Ralf Hinnerichs	16.10.2007	part number:	index:	Date:
Released by: Ralf Hinnerichs	16.10.2007	BMI1212P-02WLA	A	31.01.2008
drawing number: 393716798		Buzzer		Page 2 of 3

4. Packageing drawing



Carton

Size: 50 x 27 x 26 cm

Smalest unit:

Quantity: 3000 parts

quantity smalest unit:

Weight:

further packageing information: 100 pcs / tray, 30 trays

GREWUS		dimensions without tolerance:	scale:	
Designed by: Ralf Hinnerichs	16.10.2007	part number: BMI1212P-02WLA	index:	Date:
Released by: Ralf Hinnerichs	16.10.2007		A	31.01.2008
drawing number: 393716798		Buzzer		Page 3 of 3