

# Component specification

**BME0903SA**

Index **A**

**Buzzer**

MBWOE

## 1. General

|                        |                                     |                       |       |
|------------------------|-------------------------------------|-----------------------|-------|
| operating temperature: | -40°C to +105°C                     | component weight [g]: | 0,7   |
| storage temperature:   | -40°C to +105°C                     | housing color:        | black |
| contact:               | SMD                                 | IP rating:            |       |
| packageing:            | tor                                 | RoHs conform:         | yes   |
| ESD conform            | <input checked="" type="checkbox"/> |                       |       |
| remark:                | Housing material LCP                |                       |       |



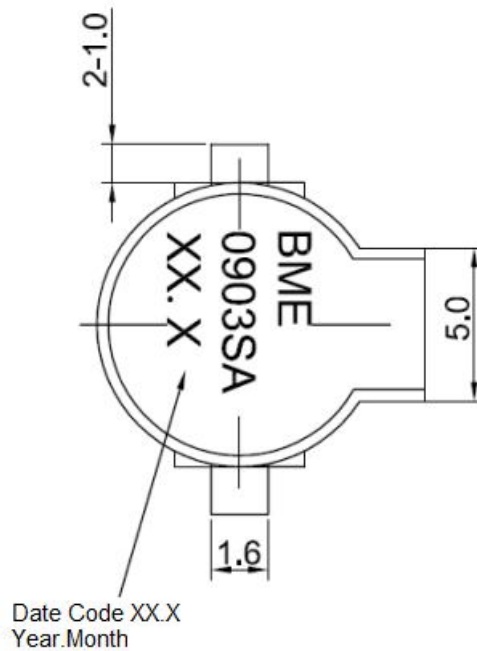
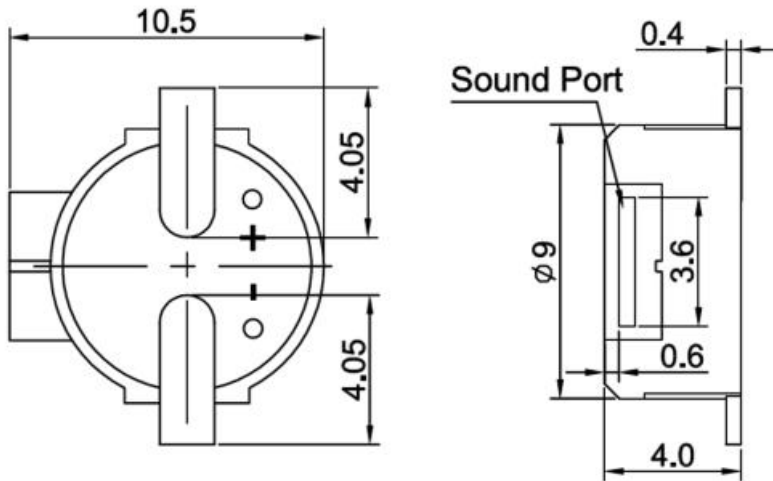
## 2. Electrical and acoustical specification

|                            |  |            |
|----------------------------|--|------------|
| DC resistance [ $\Omega$ ] |  | 16 $\pm$ 3 |
| Resonance frequency [Hz]   |  | 2731       |
| Rated voltage [V]          | $V_{op}$   | 3.6        |
| Operating voltage [V]      |  | 3 - 5      |
| SPL [dBA]:                 | <i>in 10cm / 3.6V<sub>op</sub> 50% duty cycle, 845Hz and 962Hz</i> | $\geq$ 80  |
| Current consumption [mA]   | <i>3.6V<sub>op</sub>, 2731Hz</i>                                   | $\leq$ 100 |
| Remark:                    |  |            |

Frequency curve

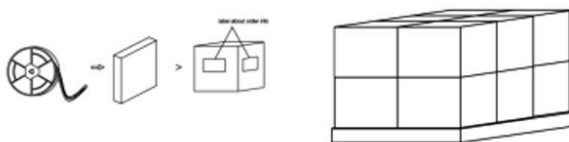
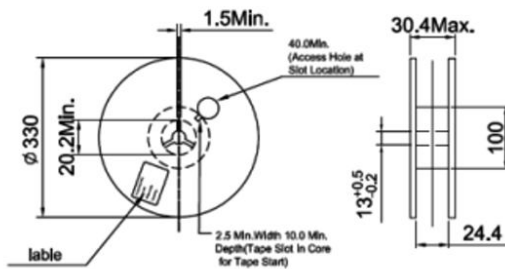
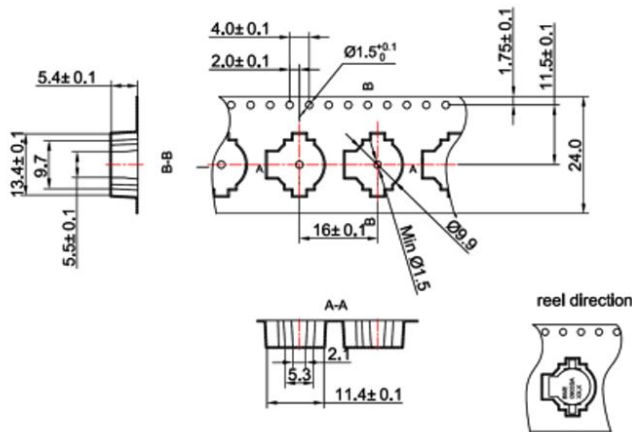
|                                  |                 |                               |                                  |             |            |
|----------------------------------|-----------------|-------------------------------|----------------------------------|-------------|------------|
| <b>GREWUS</b>                    |                 | dimensions without tolerance: | $\pm$ 0.3                        | scale:      |            |
| Designed by:                     | Ralf Hinnerichs | 23.01.2008                    | part number:<br><b>BME0903SA</b> | index:      | Date:      |
| Released by:                     | Ralf Hinnerichs | 23.01.2008                    |                                  | <b>A</b>    | 23.01.2008 |
| drawing number: <b>394703722</b> |                 | <b>Buzzer</b>                 |                                  | Page 1 of 3 |            |

3. Component drawing



|                                  |            |                                     |          |             |
|----------------------------------|------------|-------------------------------------|----------|-------------|
| <b>GREWUS</b>                    |            | dimensions without tolerance: ± 0.3 | scale:   |             |
| Designed by: Ralf Hinnerichs     | 23.01.2008 | part number:<br><b>BME0903SA</b>    | index:   | Date:       |
| Released by: Ralf Hinnerichs     | 23.01.2008 |                                     | <b>A</b> | 23.01.2008  |
| drawing number: <b>394703722</b> |            | <b>Buzzer</b>                       |          | Page 2 of 3 |

4. Packaging drawing



Carton

Size: 38 x 28 x 37 cm

Smallest unit:

Quantity: 4000 pcs / carton

quantity smallest unit: 800 pcs / reel

Weight:

further packaging information: 5 reels / small carton

|                                  |            |                                     |             |            |
|----------------------------------|------------|-------------------------------------|-------------|------------|
| <b>GREWUS</b>                    |            | dimensions without tolerance: ± 0.3 | scale:      |            |
| Designed by: Ralf Hinnerichs     | 23.01.2008 | part number:<br><b>BME0903SA</b>    | index:      | Date:      |
| Released by: Ralf Hinnerichs     | 23.01.2008 |                                     | <b>A</b>    | 23.01.2008 |
| drawing number: <b>394703722</b> |            | <b>Buzzer</b>                       | Page 3 of 3 |            |