

**Component specification****Buzzer****BMI1305SWLA**Index **A**

MBWE

**1. General**

operating temperature:	-20°C to +70°C	component weight [g]:	2
storage temperature:	-30°C to +80°C		
contact:	SMD	housing color:	grey
packageing:	tor	IP rating:	
ESD conform	<input checked="" type="checkbox"/>	RoHs conform:	yes
remark:	after reliability test SPL > 80dB; with label on the top of buzzer		

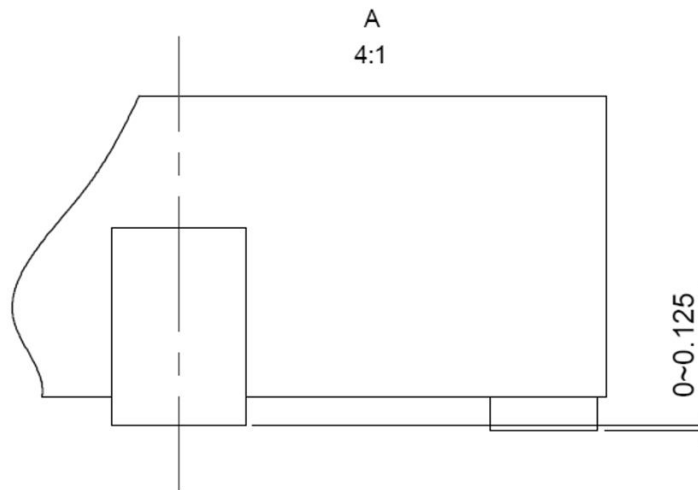
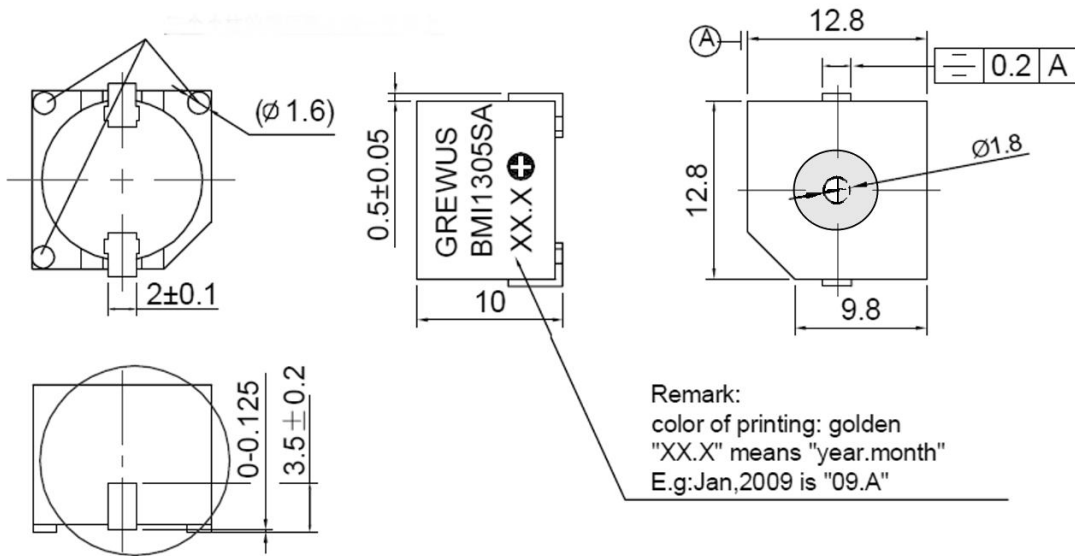
**2. Electrical and acoustical specification**

SPL [dBA]	<i>with 5V, 10cm distance</i>	≥ 85
Resonant frequency [Hz]		2300 ± 300
Rated voltage [V]	<i>V dc</i>	5
Operating voltage [V]		4 - 7
Current consumption [mA]		≤ 30

Remark:

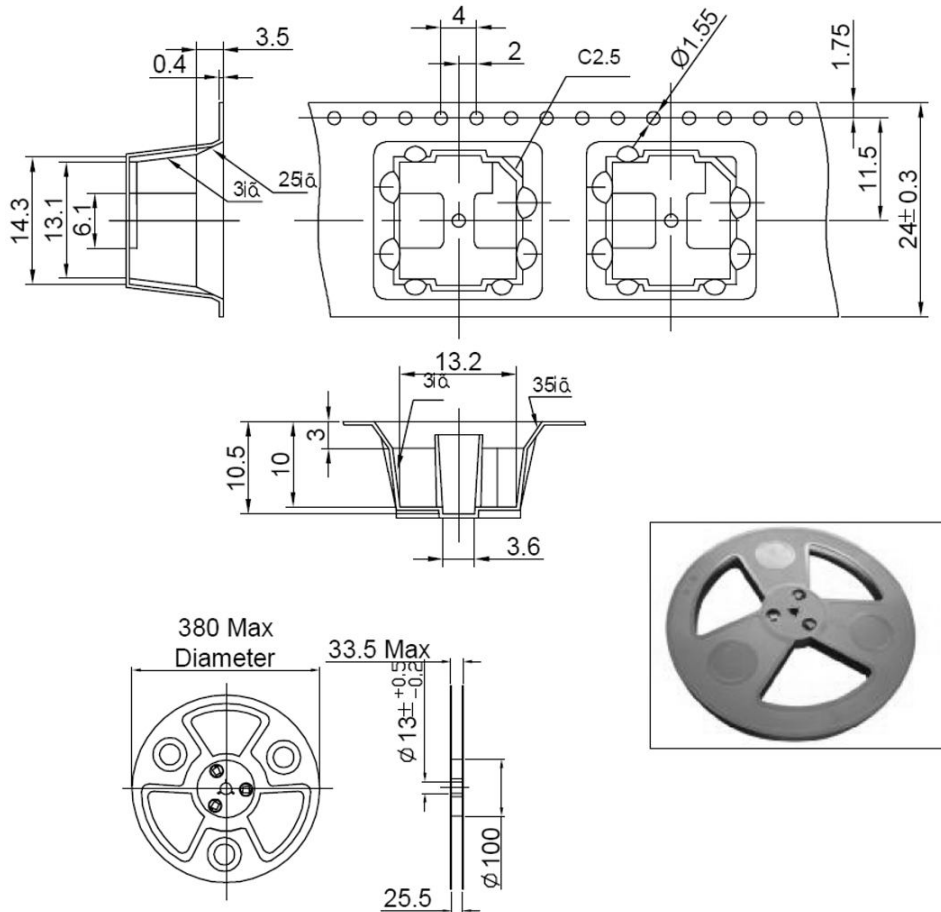
<b>GREWUS</b>		dimensions without tolerance:	scale:		
Designed by:	Ralf Hinnerichs	02.10.2007	part number: <b>BMI1305SWLA</b>	index:	Date:
Released by:	Ralf Hinnerichs	02.10.2007		<b>A</b>	08.10.2009
drawing number: <b>403036030</b>			<b>Buzzer</b>	Page 1 of	3

3. Component drawing



<b>GREWUS</b>		dimensions without tolerance:		scale:	
Designed by:	Ralf Hinnerichs	02.10.2007	part number:	index:	Date:
Released by:	Ralf Hinnerichs	02.10.2007	<b>BMI1305SWLA</b>	<b>A</b>	08.10.2009
drawing number: <b>403036030</b>			<b>Buzzer</b>		Page 2 of 3

4. Packageing drawing



Carton

Size: 41 x 41 x 33 cm

Smallest unit:

Quantity: 1680 pcs / carton

quantity smallest unit:

Weight:

further packageing information: 280 pcs / reel, 6 reels / carton

<b>GREWUS</b>		dimensions without tolerance:	scale:	
Designed by: Ralf Hinnerichs	02.10.2007	part number:	index:	Date:
Released by: Ralf Hinnerichs	02.10.2007	<b>BMI1305SWLA</b>	<b>A</b>	08.10.2009
drawing number: <b>403036030</b>		<b>Buzzer</b>		Page 3 of 3