

Component specification**Buzzer****HB4112PA**Index **A**

BA

1. General

operating temperature: -30°C to +65°C component weight [g]: 14

storage temperature: -40°C to +75°C

contact: Terminal housing color: black

packaging: box IP rating:

ESD conform

remark: Pin 1 (+) and pin 3 (-) = constant tone
Pin 1 (+) and pin 2 (-) = pulse tone,
single hole mounting \varnothing 27mm \pm 0.2mm
Connector Faston 2.8mm

RoHs conform: yes

**2. Electrical and acoustical specification**

Rated voltage [Vdc] 12

Operating voltage [Vdc] 8 - 31

Resonant frequency [Hz] 2900 \pm 500

SPL [dBA]: *1m distance* (68 - 80) \pm 3

Current consumption [mA] 3 - 41

Tone constant-pulse: constant / pulse

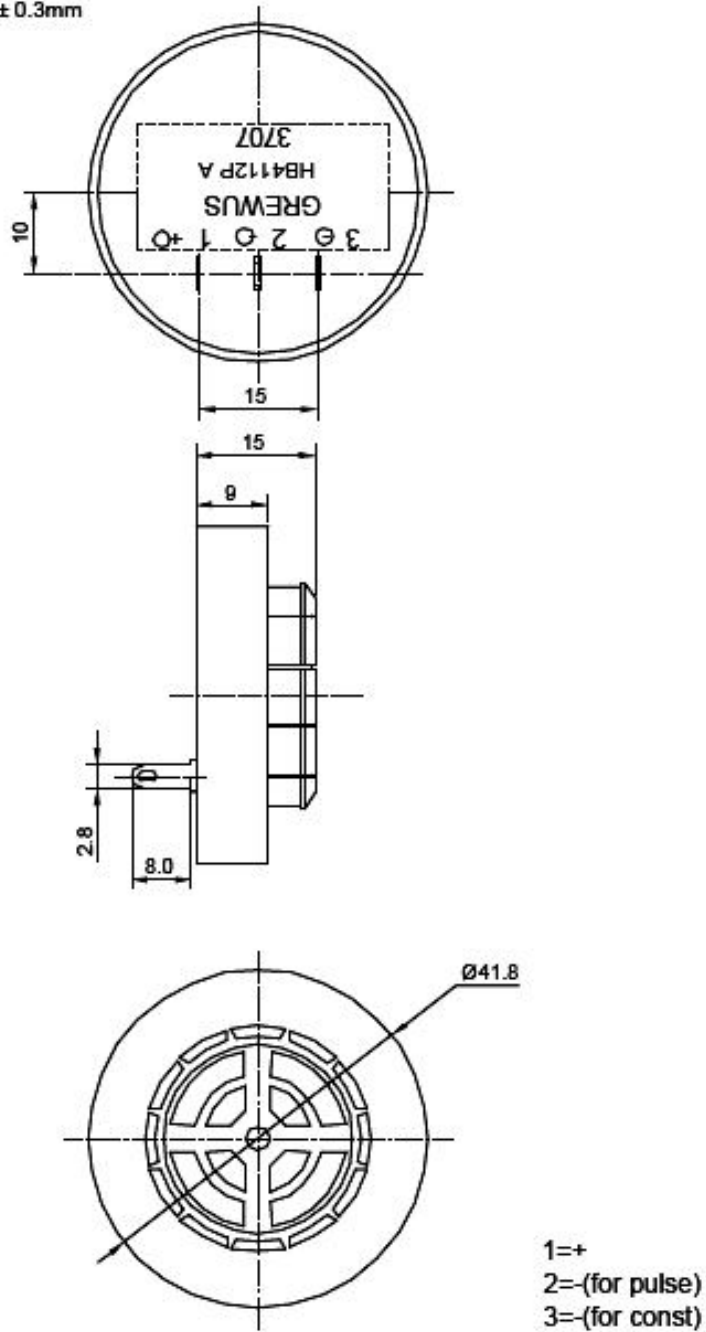
on-off cycles:

Remark:

GREWUS		dimensions without tolerance: \pm 0.3	scale:	
Designed by: Ralf Hinnerichs	08.10.2007	part number: HB4112PA	index:	Date:
Released by: Ralf Hinnerichs	08.10.2007		A	08.10.2007
drawing number: 393634471		Buzzer	Page 1 of 3	

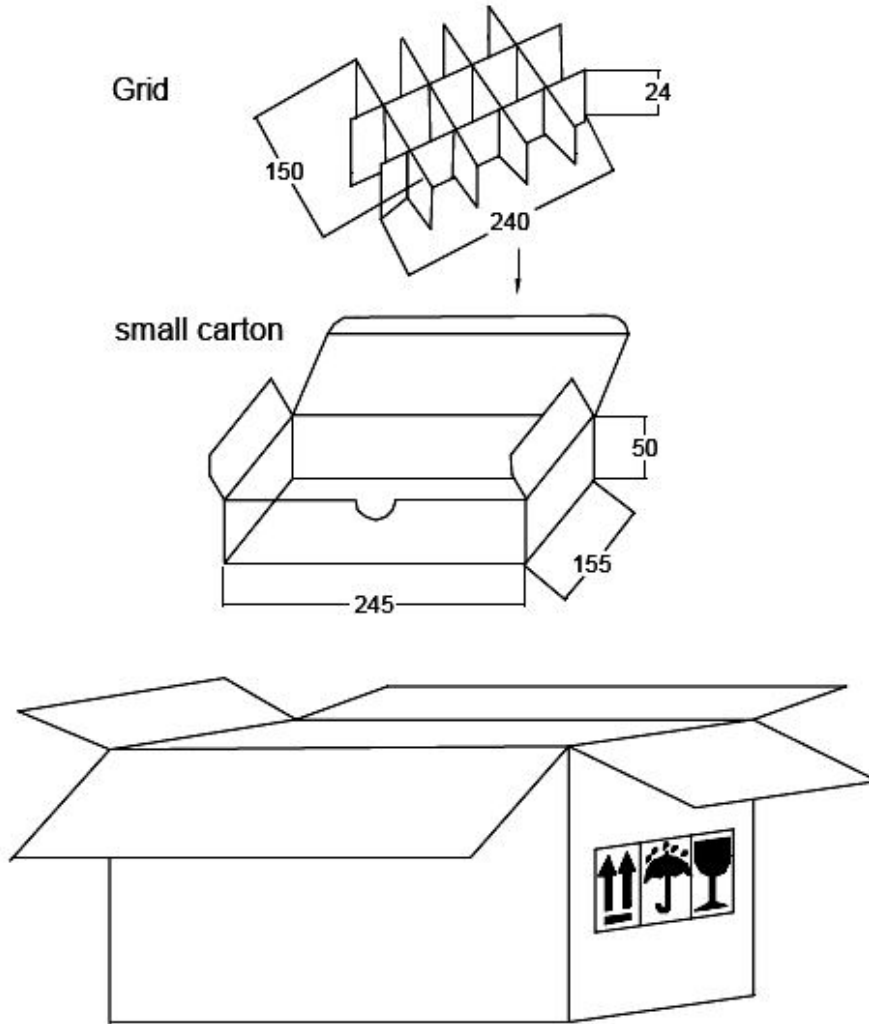
3. Component drawing

Unit:mm Tolerance: ±0.3mm



GREWUS		dimensions without tolerance: ± 0.3	scale:	
Designed by: Ralf Hinnerichs	08.10.2007	part number:	index:	Date:
Released by: Ralf Hinnerichs	08.10.2007	HB4112PA	A	08.10.2007
drawing number: 393634471		Buzzer		Page 2 of 3

3. Packageing drawing



Carton

Size: 76 x 32 x 25 cm

Smalest unit:

Quantity: 450 / carton

quantity smalest unit: 15 pcs / small carton

Weight:

further packageing information:

GREWUS		dimensions without tolerance: ± 0.3	scale:	
Designed by: Ralf Hinnerichs	08.10.2007	part number: HB4112PA	index:	Date:
Released by: Ralf Hinnerichs	08.10.2007		A	08.10.2007
drawing number: 393634471		Buzzer	Page 3 of 3	