

not finally

1. General

Operating temperature: -30°C to +85°C Component weight [g]: 1,4
 Storage temperature: -40°C to +105°C
 Contact: SMD Housing color: black
 Packageing: tor IP rating:
 ESD conform RoHs conform: yes
 Remark:



2. Electrical and acoustical specification

Impedance [Ω] at 2kHz 8 ± 20%
 Resonance frequency [Hz] 1000 ± 200
 Frequency range [Hz] see diagram below
 THD [%] <= 5%
 SPL [dB]: at 0.7W / 10cm / 1kHz, 1.6kHz, 2kHz, 3.2kHz average 88 ± 3
 Rated input power [W] 2.37Vrms 0,7
 Maximum input power [W] 2.83Vrms 1
 Buzz and rattle must be normal at sine wave 2.37Vrms

Polarity:
 Remark:

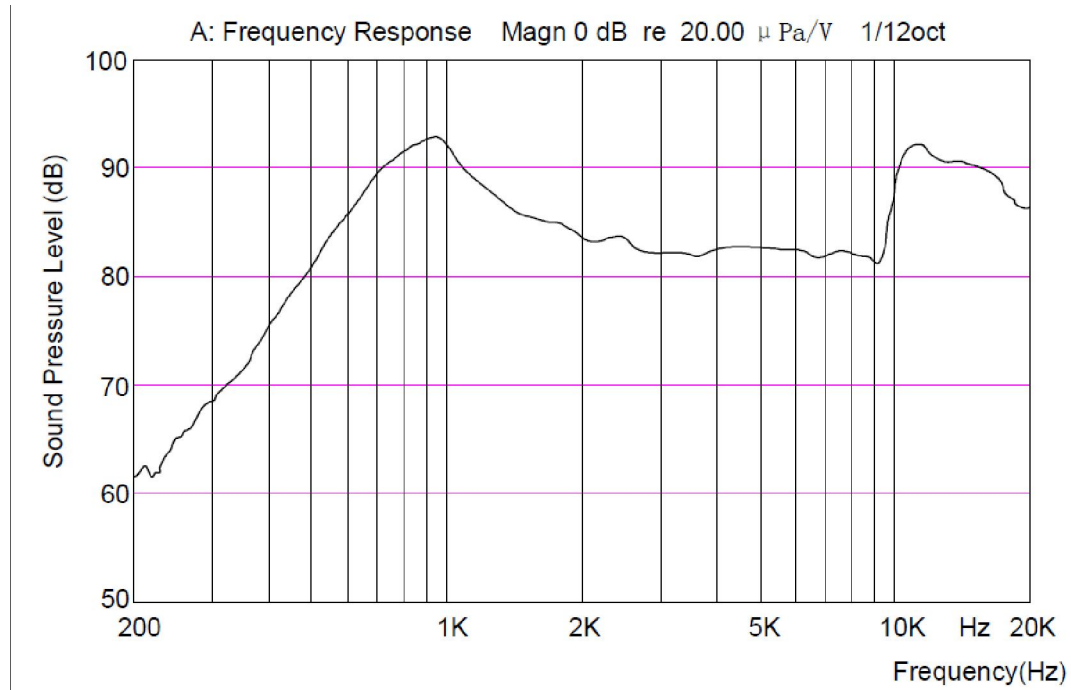
GREWUS		dimensions without tolerance: ± 0.2	scale:	
Designed by: Ralf Hinnerichs	02.11.2009	part number: SH1308SA	index:	Date:
Released by:			A	02.11.2009
drawing number: 401196079		buzzer	Loudspeaker	Page 1 of 4

not finally

Frequency curve

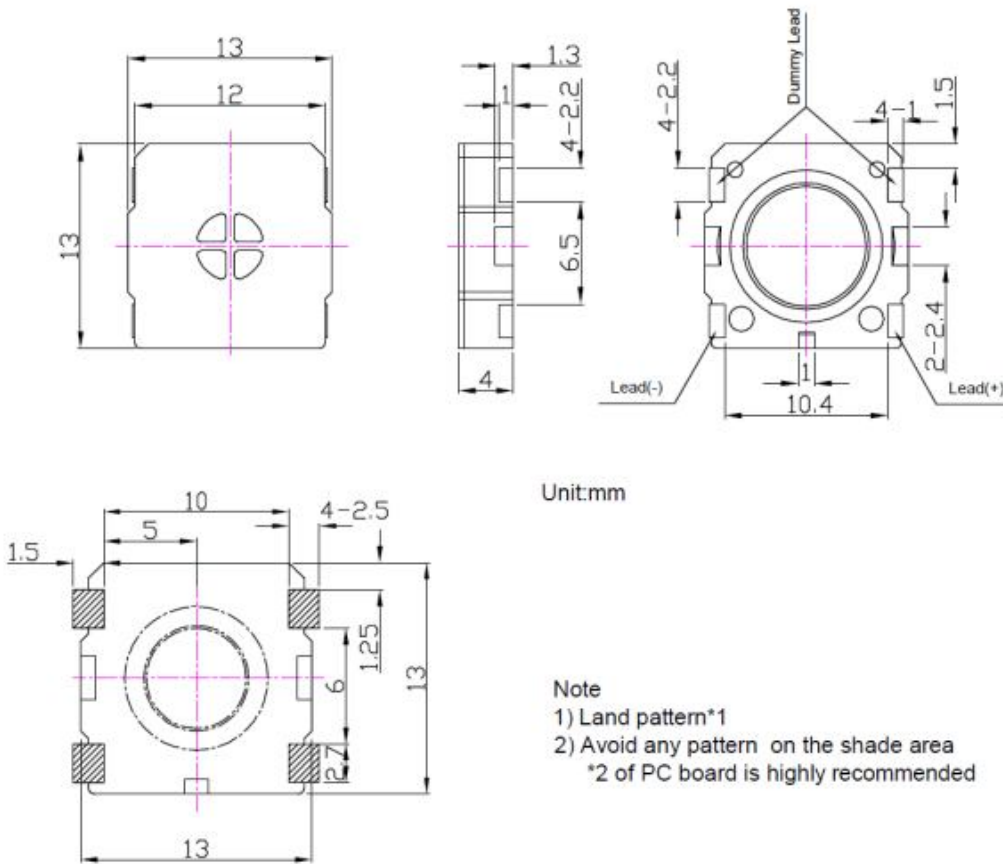
Conditions:

See test assembly below

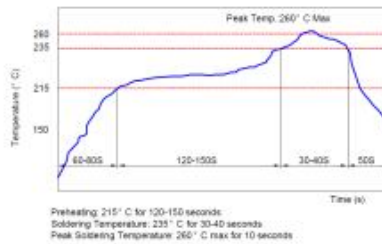


GREWUS		dimensions without tolerance: ± 0.2	scale:	
Designed by: Ralf Hinnerichs	02.11.2009	part number: SH1308SA	index:	Date:
Released by:			A	02.11.2009
drawing number: 401196079		buzzer	Loudspeaker	Page 2 of 4

3. Component drawing

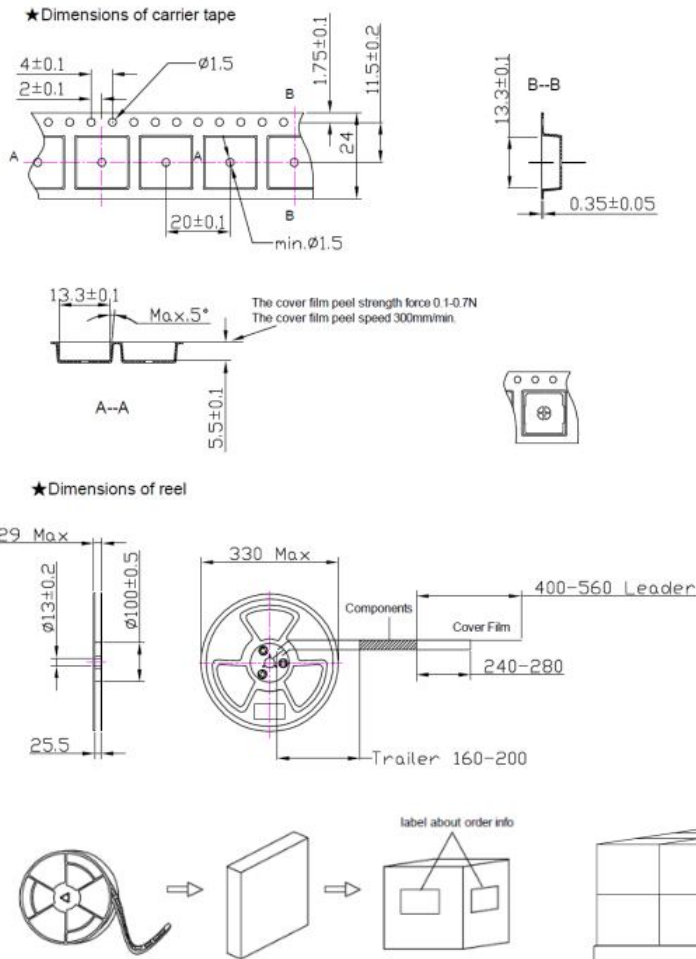


Note
 1) Land pattern*1
 2) Avoid any pattern on the shade area
 *2 of PC board is highly recommended



GREWUS		dimensions without tolerance: ± 0.2	scale:	
Designed by: Ralf Hinnerichs	02.11.2009	part number:	index:	Date:
Released by:		SH1308SA	A	02.11.2009
drawing number: 401196079	buzzer	Loudspeaker	Page 2 of	4

4. Packageing drawing



Carton

Size: 38x28x37cm

Smallest unit: reel

Quantity: 3000 pcs / carton

quantity smallest unit: 600 pcs. / reel

Weight:

further packageing information: 5 reels / carton / 12 cartons / tray / tray size 85 x 77 x 74

GREWUS		dimensions without tolerance: ± 0.2	scale:	
Designed by: Ralf Hinnerichs	02.11.2009	part number:	index:	Date:
Released by:		SH1308SA	A	02.11.2009
drawing number: 401196079		Loudspeaker		Page 3 of 4