

1. General

Operating temperature:	-30°C to +85°C	Component weight [g]:	1,5
Storage temperature:	-40°C to +105°C		
Contact:	SMD	Housing color:	black
Packageing:	tor	IP rating:	
ESD conform	<input checked="" type="checkbox"/>	RoHs conform:	yes
Remark:			



2. Electrical and acoustical specification

Impedance [Ω]	at 2kHz / 0.5Vrms	8 ± 20%
Resonance frequency [Hz]		800 ± 15%
Frequency range [Hz]		see diagram below
THD [%] (0.5W / 2.2kHz)		≤ 5%
SPL [dB]:	at 0.5W / 10cm / 1kHz, 1.6kHz, 2kHz, 3.2kHz average	87 ± 3
Rated input power [W]	2Vrms	0,5
Maximum input power [W]	2.53Vrms	8
Buzz and rattle	must be normal at sine wave 2.37Vrms	

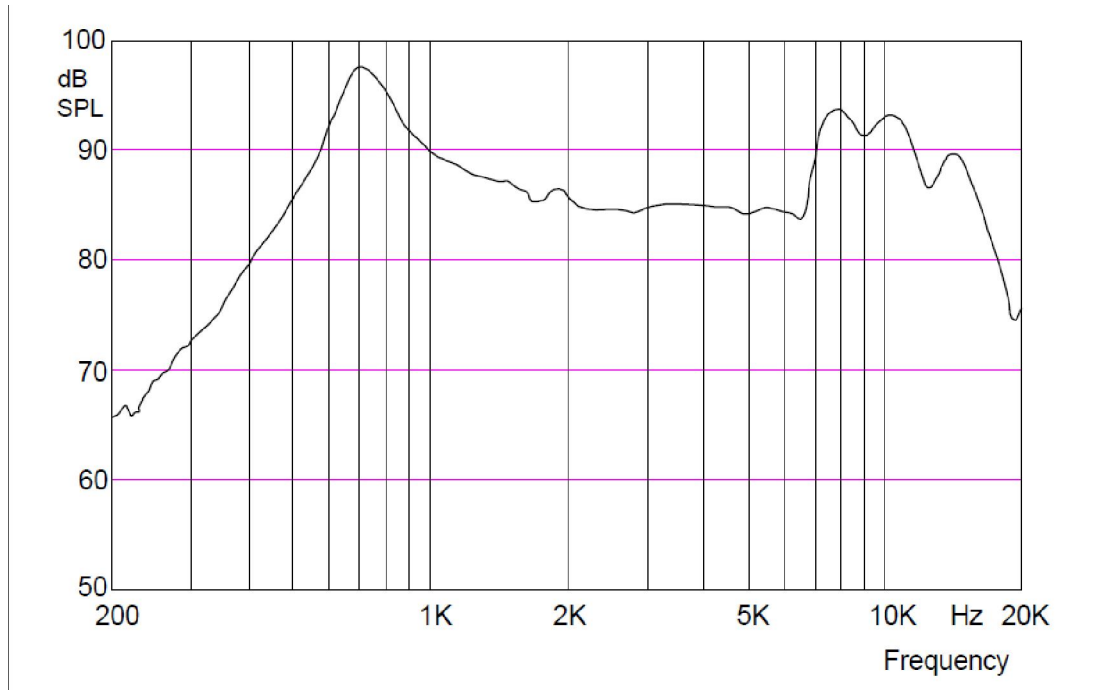
Polarity:

Remark:

GREWUS		dimensions without tolerance: ± 0.2	scale:	
Designed by: Ralf Hinnerichs	02.11.2009	part number: SH1508SA	index:	Date:
Released by:			A	02.11.2009
drawing number: 401196538	buzzer	Loudspeaker	Page 1 of	4

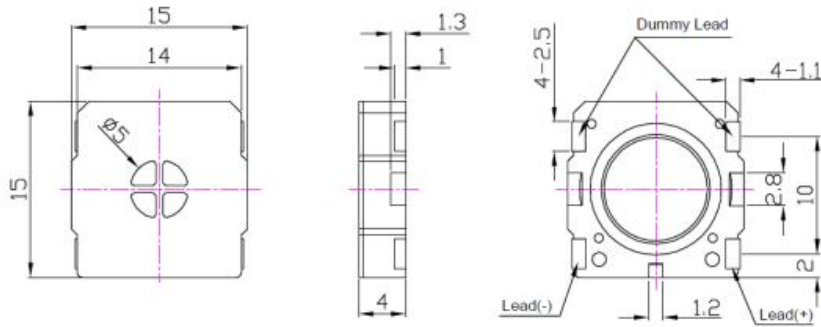
Frequency curve

Conditions:

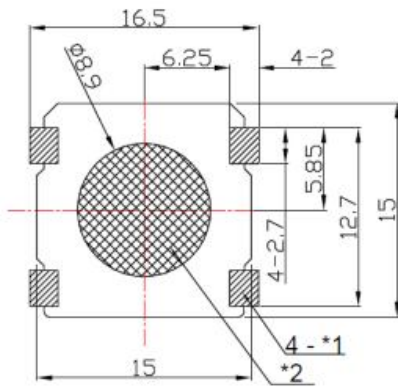


GREWUS		dimensions without tolerance: ± 0.2	scale:	
Designed by: Ralf Hinnerichs	02.11.2009	part number: SH1508SA	index:	Date:
Released by:			A	02.11.2009
drawing number: 401196538		buzzer	Loudspeaker	Page 2 of 4

3. Component drawing



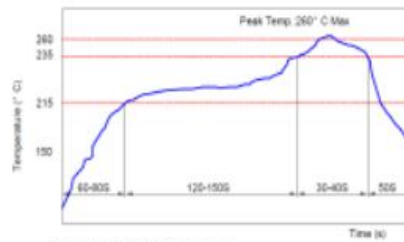
4.2 Recommended Land Pattern Dimensions



Unit:mm

Note

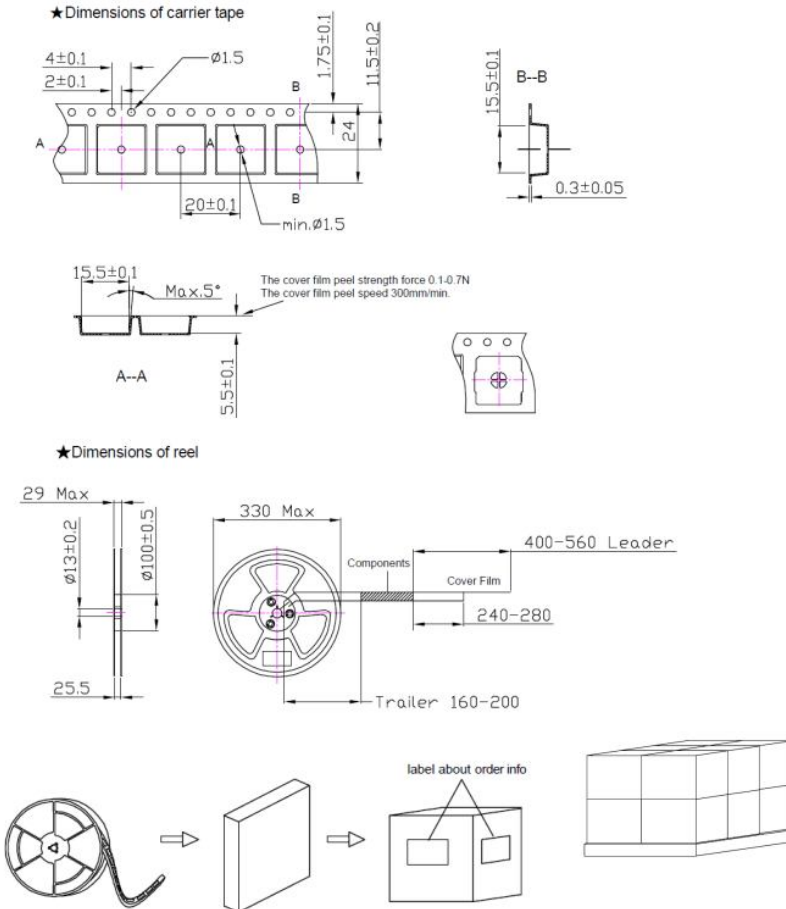
- 1) Land pattern*1
- 2) Avoid any pattern on the shade area
- *2 of PC board is highly recommended



Preheating 215° C for 120-150 seconds
 Soldering Temperature: 235° C for 30-40 seconds
 Peak Soldering Temperature: 260° C max for 10 seconds

GREWUS		dimensions without tolerance: ± 0.2	scale:	
Designed by: Ralf Hinnerichs	02.11.2009	part number:	index:	Date:
Released by:		SH1508SA	A	02.11.2009
drawing number: 401196538	buzzer	Loudspeaker	Page 3 of	4

4. Packageing drawing



Carton

Size: 38x28x37cm

Smallest unit: reel

Quantity: 3000 pcs / carton

quantity smallest unit: 600 pcs. / reel

Weight:

further packageing information: 5 reels / carton / 12 cartons / tray / tray size 85 x 77 x 74

GREWUS		dimensions without tolerance: ± 0.2	scale:	
Designed by: Ralf Hinnerichs	02.11.2009	part number:	index:	Date:
Released by:		SH1508SA	A	02.11.2009
drawing number: 401196538		Loudspeaker	Page 4 of	4