

1. General

Operating temperature: -40°C to +85°C Component weight [g]: 9
 Storage temperature: -40°C to +85°C
 Contact: PIN Housing color: black
 Packageing: tray IP rating:
 ESD conform RoHs conform: yes
 Remark: improved gluing process of wire below membrane, no sharp angle

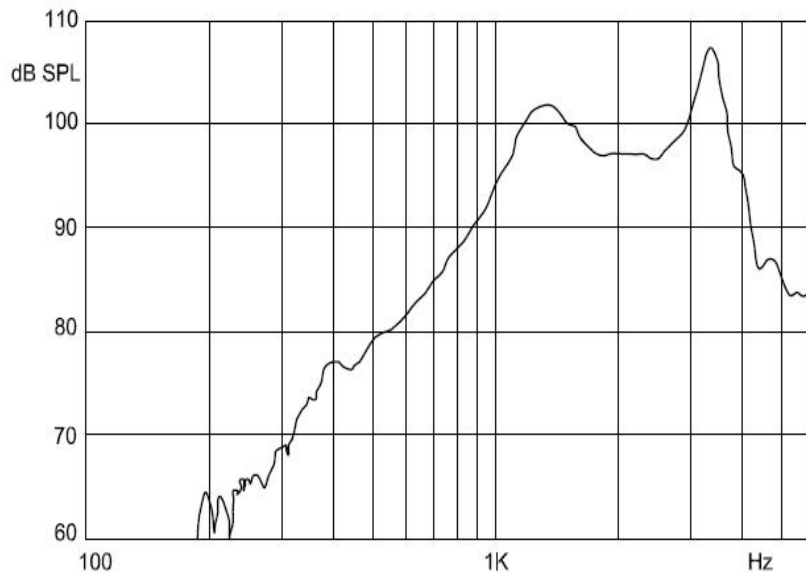
2. Electrical and acoustical specification

Impedance [Ω] *with 1V at 2kHz* 100±10%
 Frequency range [Hz] 1000 - 4000
 SPL [dB]: *at 0.25W / 10 cm / 1kHz square wave* ≥ 90
 Rated input power [W] 0,15
 Maximum input power [W] 0,3
 SPL *at 0.25W / 10 cm / 2kHz square wave* min 95dB
 Buzz and rattle *must be normal at sine wave 3.87V*
 Polarity:
 Remark:

GREWUS		dimensions without tolerance:	scale:	
Designed by: Ralf Hinnerichs	09.09.2007	part number: SH30100P-01B	index:	Date:
Released by: Ralf Hinnerichs	02.10.2007		B	13.10.2008
drawing number: 397346469		Loudspeaker		Page 1 of 4

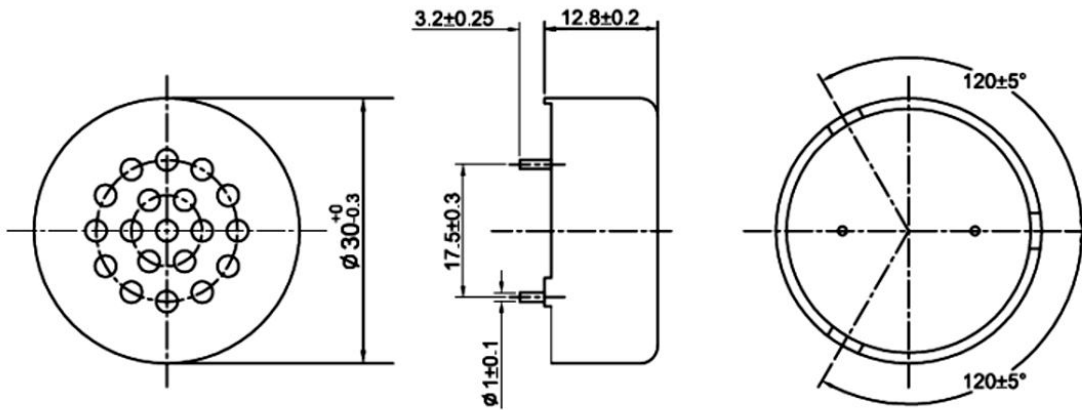
Frequency curve

Conditions:



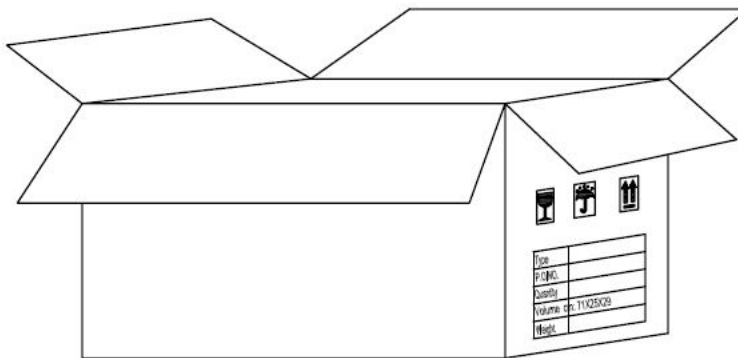
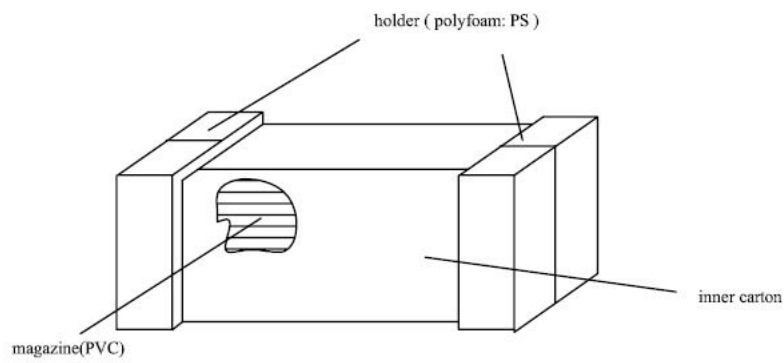
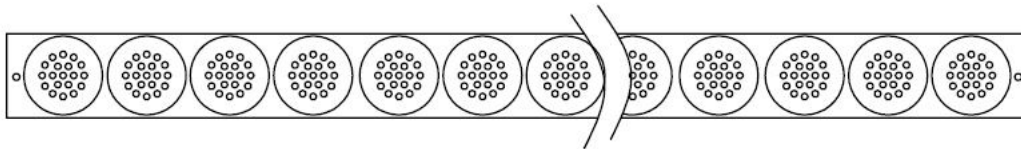
GREWUS		dimensions without tolerance:	scale:	
Designed by: Ralf Hinnerichs	09.09.2007	part number: SH30100P-01B	index:	Date:
Released by: Ralf Hinnerichs	02.10.2007		B	13.10.2008
drawing number: 397346469		Loudspeaker	Page 2 of 4	

3. Component drawing



GREWUS		dimensions without tolerance:	scale:	
Designed by: Ralf Hinnerichs	09.09.2007	part number:	index:	Date:
Released by: Ralf Hinnerichs	02.10.2007	SH30100P-01B	B	13.10.2008
drawing number: 397346469		Loudspeaker		Page3 of 4

4. Packageing drawing



Carton

Size: 71x25x29cm

Smallest unit: magazine

Quantity: 800 pcs / carton

quantity smallest unit: 20 pcs / magazine

Weight:

further packageing information: 40 magazines / carton, inner carton size 64x18x21

GREWUS		dimensions without tolerance:	scale:	
Designed by: Ralf Hinnerichs	09.09.2007	part number:	index:	Date:
Released by: Ralf Hinnerichs	02.10.2007	SH30100P-01B	B	13.10.2008
drawing number: 397346469		Loudspeaker		Page 4 of 4