

1. General

Operating temperature: -40°C to +85°C Component weight [g]: 9
 Storage temperature: -40°C to +85°C
 Contact: PIN Housing color: black
 Packageing: tray IP rating:
 ESD conform RoHs conform: yes
 Remark: improved gluing process of wire below membrane, no sharp angle, 100 Ohm resistor inside



2. Electrical and acoustical specification

Impedance [Ω] *with 1V at 2kHz* 200±15%
 Frequency range [Hz] 1000 - 4000
 SPL [dB]: *at 0.5W / 10 cm / 1kHz square wave / not finally fixed* ≥ 87
 Rated input power [W] 0,3
 Maximum input power [W] 0,6
 SPL *at 0.5W / 10 cm / 2kHz square wave / not finally fixed* min 92dB
 Buzz and rattle *must be normal at sine wave 7.7V*
 Polarity: *marked with a plus sign on the backside*
 Remark:

GREWUS		dimensions without tolerance:	scale:	
Designed by: Ralf Hinnerichs	21.08.2009	part number: SH30200PA	index:	Date:
Released by: Ralf Hinnerichs	07.12.2009		A	21.08.2009
drawing number: 400465753		loudspeaker	Loudspeaker	Page 1 of 4

Frequency curve

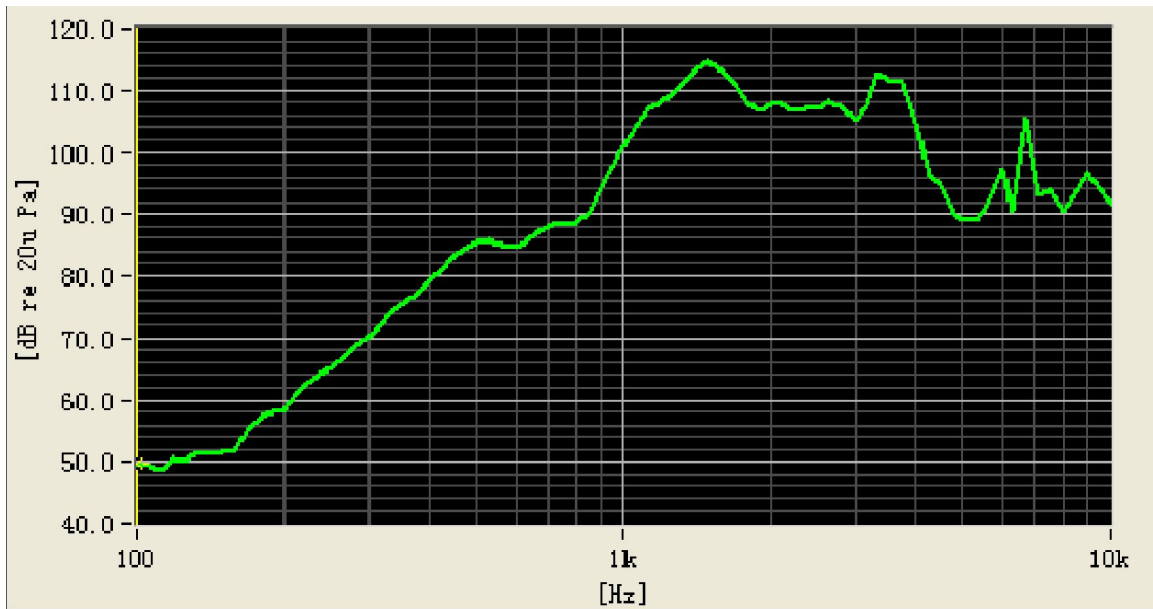
Conditions:

The test assembly is in free field or a test room with min 2m x2m ground and 2m high distance between loudspeaker and SPL meter=10cm

Trigger voltage is 12.8V0-p, 50% duty square wave signal

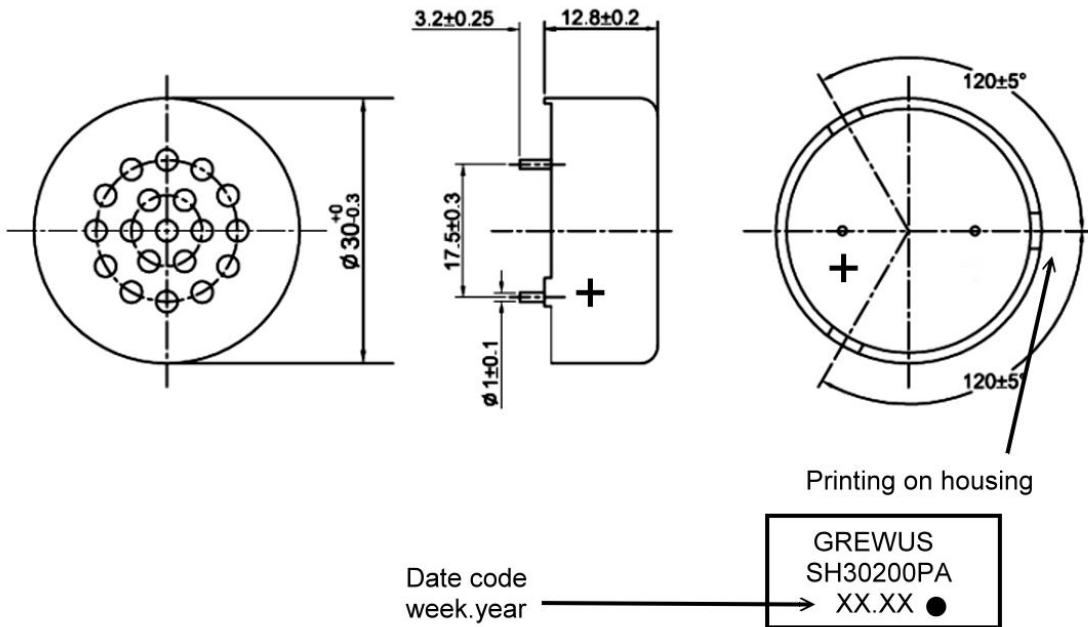
The trigger signal comes from a function generator FG100.

The trigger voltage is adjusted to 12.8V0-p constant voltage.(in case of load)



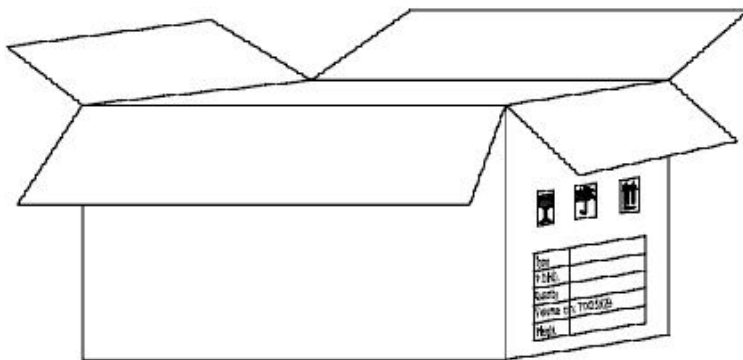
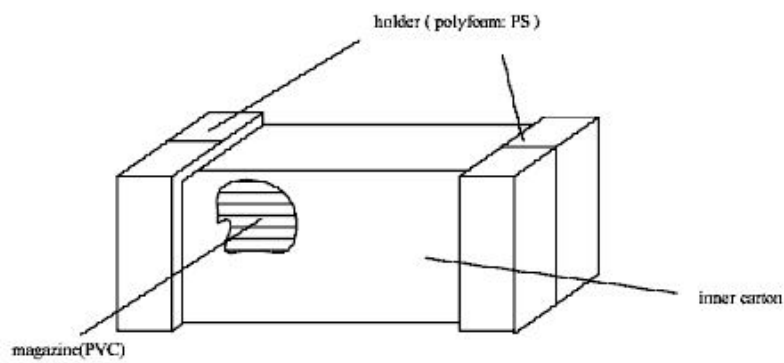
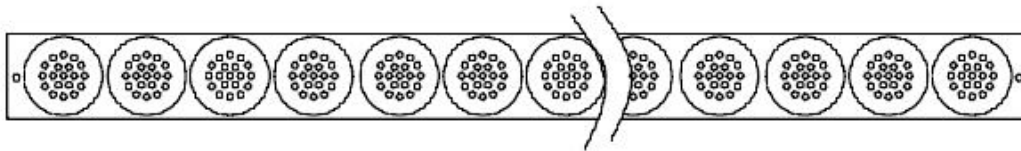
GREWUS		dimensions without tolerance:	scale:	
Designed by: Ralf Hinnerichs	21.08.2009	part number: SH30200PA	index:	Date:
Released by: Ralf Hinnerichs	07.12.2009		A	21.08.2009
drawing number: 400465753		loudspeaker	Loudspeaker	Page 2 of 4

3. Component drawing



GREWUS		dimensions without tolerance:	scale:	
Designed by: Ralf Hinnerichs	21.08.2009	part number:	index:	Date:
Released by: Ralf Hinnerichs	07.12.2009	SH30200PA	A	21.08.2009
drawing number: 400465753		loudspeaker	Loudspeaker	Page 3 of 4

4. Packageing drawing



Carton

Size: 71x25x29cm

Smallest unit: magazine

Quantity: 800 pcs / carton

quantity smallest unit: 20 pcs / magazine

Weight:

further packageing information: 40 magazines / carton, inner carton size 64x18x21

GREWUS		dimensions without tolerance:		scale:	
Designed by:	Ralf Hinnerichs	21.08.2009	part number:	index:	Date:
Released by:	Ralf Hinnerichs	07.12.2009	SH30200PA	A	21.08.2009
drawing number: 400465753			Loudspeaker		Page 4 of 4