

**1. General**

Operating temperature:	-40°C to +105°C	Component weight [g]:	9
Storage temperature:	-40°C to +105°C		
Contact:	PIN	Housing color:	black
Packageing:	tray	IP rating:	
ESD conform	<input type="checkbox"/>	RoHs conform:	yes
Remark:	position nose		



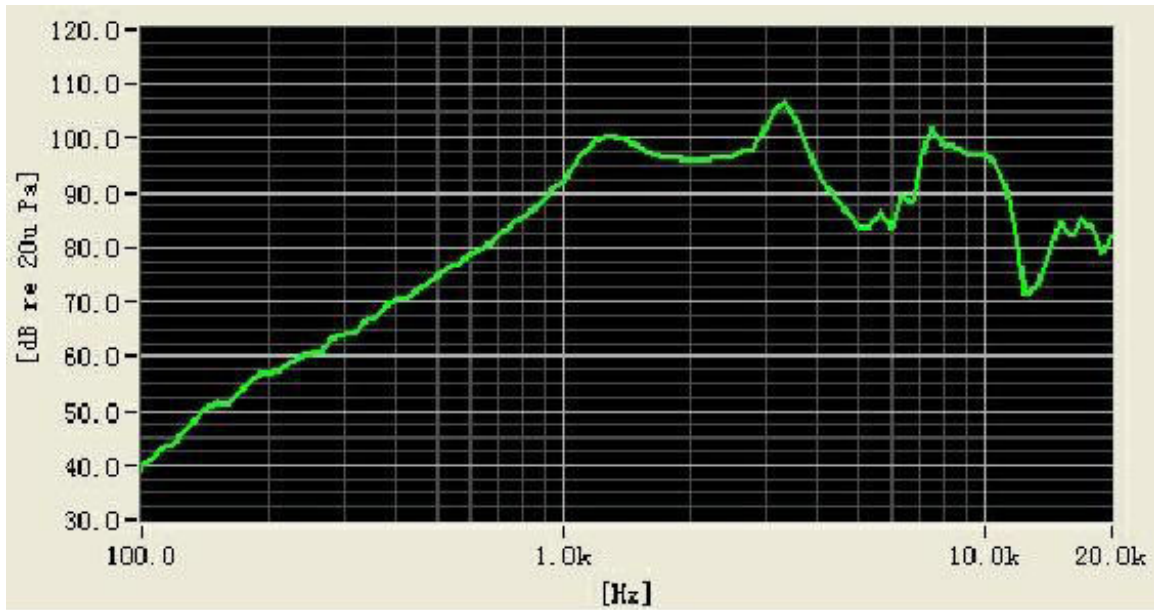
**2. Electrical and acoustical specification**

Impedance [ $\Omega$ ]	<i>measured acc. To standard IEC 268-5 with 300mVrms at 2kHz</i>	32±10%
Frequency range [Hz]		1000 - 4000
Operating voltage sym. [Vpp]		6 - 12,8
Operating voltage asym.		4 - 9
SPL [dB]:	<i>measured in 10cm, 5,6Vpp, 50% duty cycle, 1000Hz</i>	95 ± 5
Rated input power [W]		1,3
Maximum input power [W]		1,5
mebrane material	<i>PEI</i>	
Polarity:		
Remark:		

<b>GREWUS</b>		dimensions without tolerance:	scale:	
Designed by: Ralf Hinnerichs		part number:	index:	Date:
Released by:	16.08.2007	<b>SH3032P-02B</b>	<b>B</b>	14.08.2007
drawing number: <b>405006211</b>	<b>loudspeaker</b>	<b>Loudspeaker</b>	Page 1 of	4

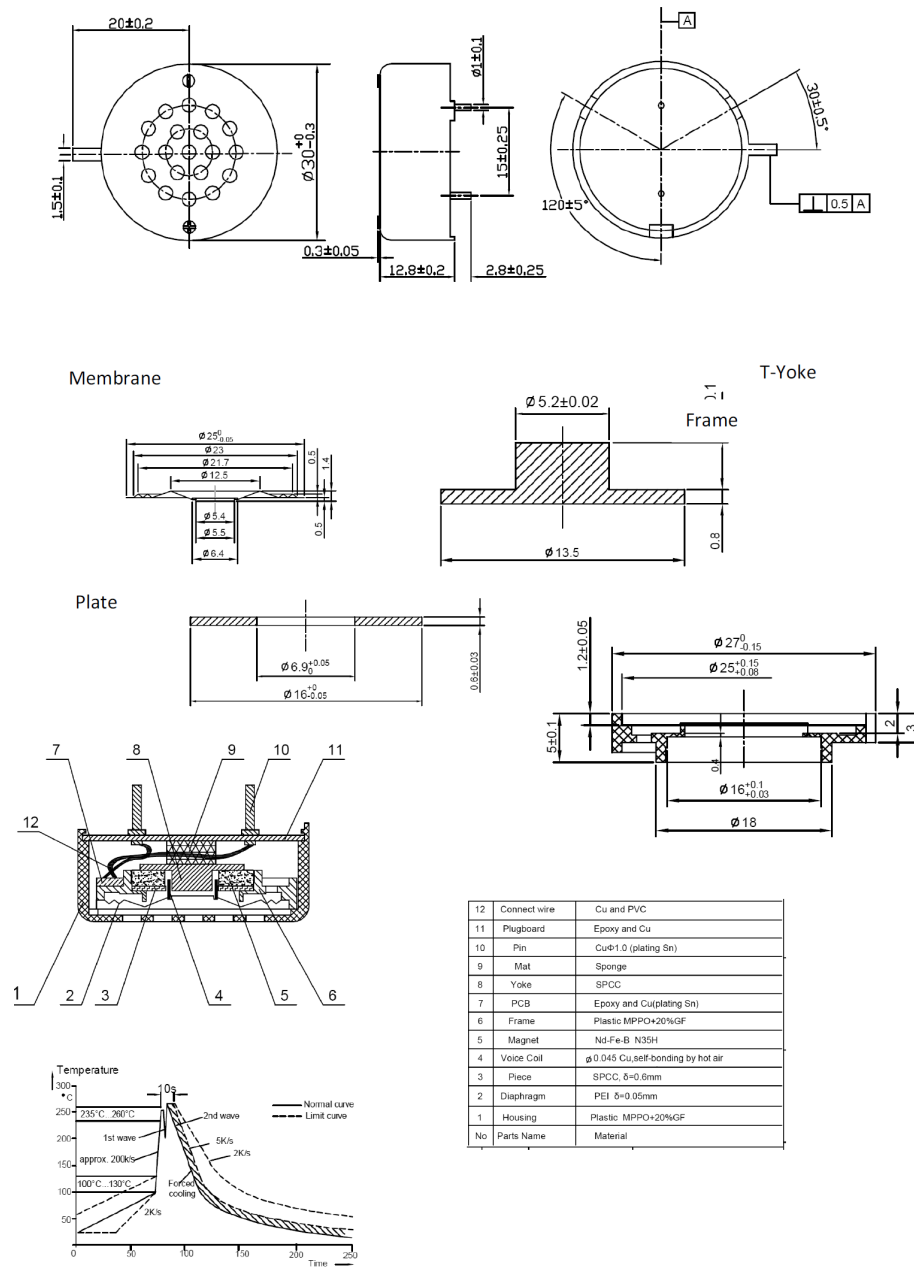
Frequency curve

Conditions:



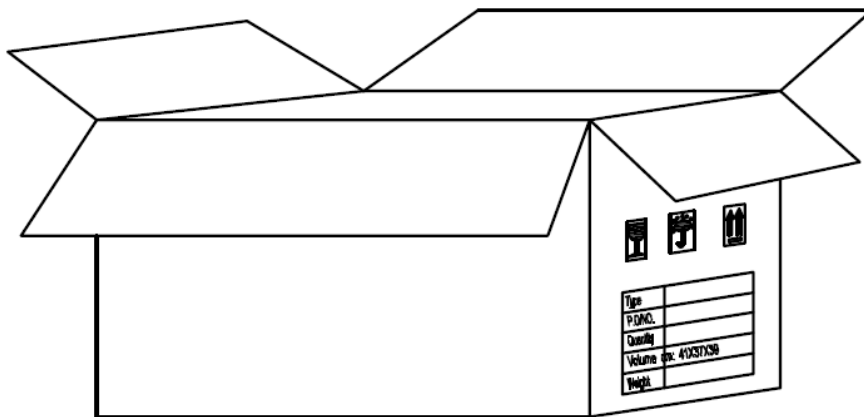
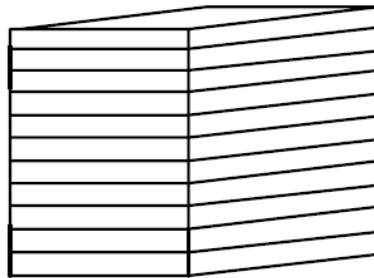
<b>GREWUS</b>		dimensions without tolerance:	scale:	
Designed by: Ralf Hinnerichs		part number:	index:	Date:
Released by:	16.08.2007	<b>SH3032P-02B</b>	<b>B</b>	14.08.2007
drawing number: <b>405006211</b>		<b>loudspeaker</b>	<b>Loudspeaker</b>	Page 2 of 4

3. Component drawing



<b>GREWUS</b>		dimensions without tolerance:	scale:	
Designed by: Ralf Hinnerichs		part number:	index:	Date:
Released by:	16.08.2007	<b>SH3032P-02B</b>	<b>B</b>	14.08.2007
drawing number: 405006211	<b>loudspeaker</b>	<b>Loudspeaker</b>	Page 3 of	4

4. Packageing drawing



**Carton**

Size: 41x37x39cm

Smalest unit:

Quantity: 1000

quantity smalest unit:

Weight:

further packageing information: 50 pieces per tray, 20 Trays per carton

<b>GREWUS</b>		dimensions without tolerance:	scale:	
Designed by: Ralf Hinnerichs		part number: <b>SH3032P-02B</b>	index:	Date:
Released by:	16.08.2007		<b>B</b>	14.08.2007
drawing number: <b>405006211</b>		<b>Loudspeaker</b>	Page 4 of	4