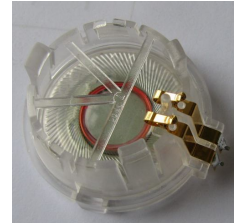


not finally

1. General

Operating temperature: -40°C to +90°C Component weight [g]: 11
 Storage temperature: -40°C to +90°C
 Contact: Spring Housing color: bright
 Packageing: magazine IP rating:
 ESD conform RoHs conform: yes
 Remark: frame and housing material PC



2. Electrical and acoustical specification

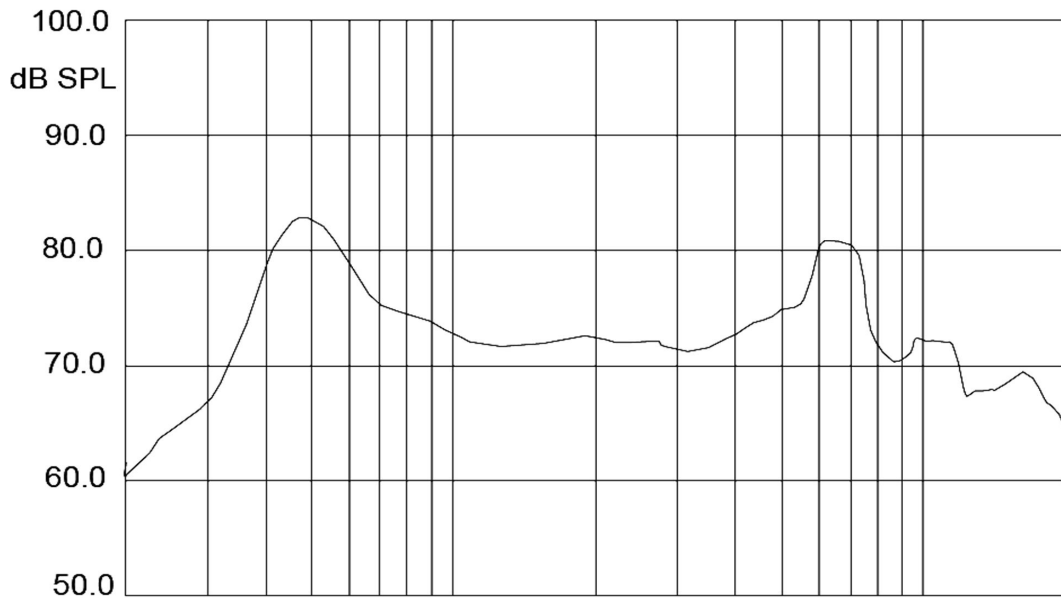
DC resistance [Ω] 29 ± 10%
 Impedance [Ω] *measured at 1000Hz* 32 ± 15%
 Resonance frequency [Hz] 400
 Frequency range [Hz] 400 - 17000
 SPL [dB]:
 Rated input power [W] 0,3
 Maximum input power [W] 0,5
 Buzz and rattle *must be normal at sine wave 2.2V*
 Magnet material *Nd-Fe-B Ø 12.5X1.5mm*
 Membrane material *PEI*
 Polarity: *membrane moves forward connecting + with positive voltage*
 Remark: Contact pressure for each spring / press contact to PCB = 3N ± 0.25N; Insertion force which is necessary to assemble loudspeaker into PCB between 20N and 50N

GREWUS		dimensions without tolerance:	scale:	
Designed by: Ralf Hinnerichs	21.11.2007	part number: SH3732FA	index:	Date:
Released by: Ralf Hinnerichs	21.11.2007		A	21.11.2007
drawing number: 394073789		Loudspeaker		Page 1 of 4

not finally

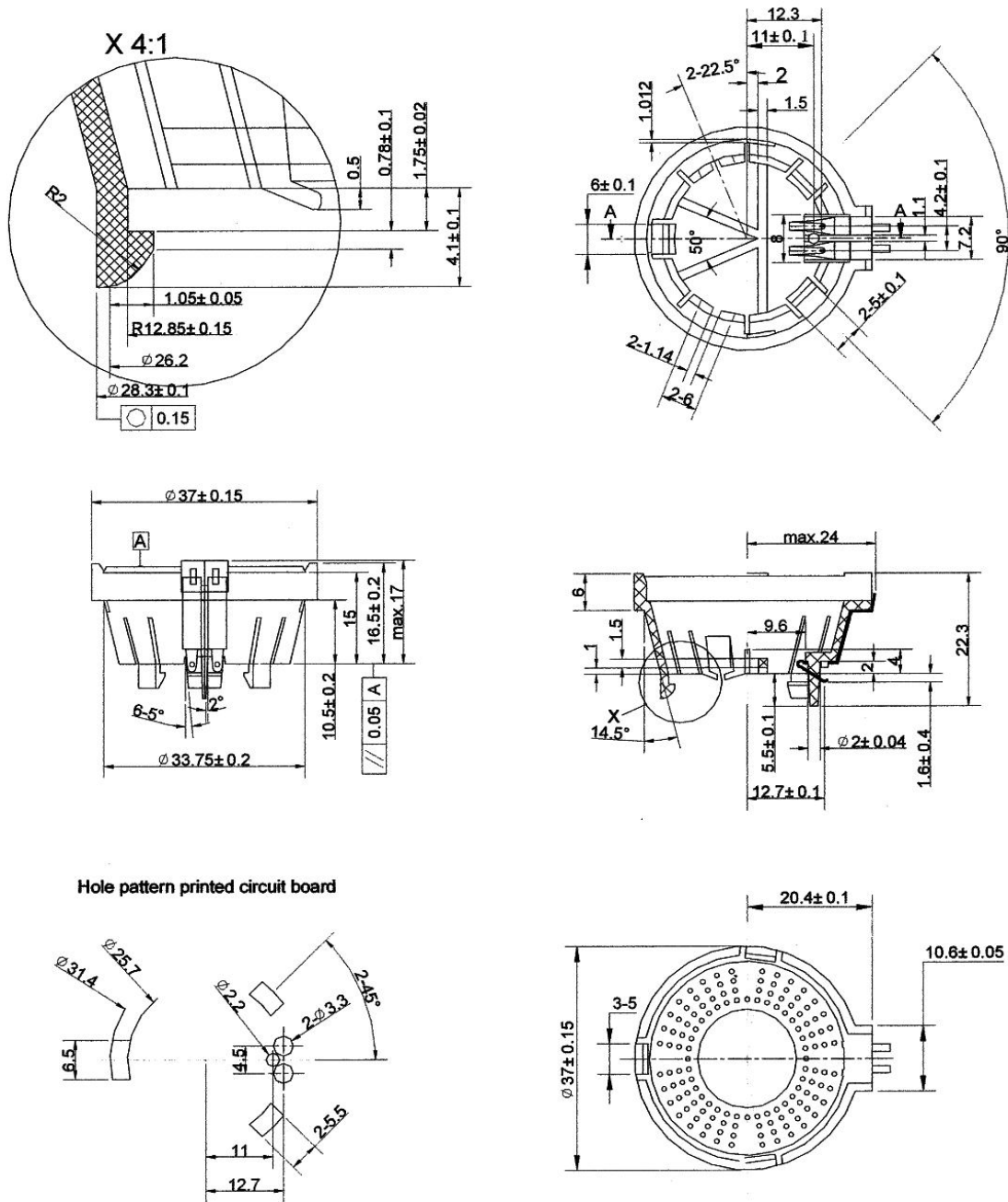
Frequency curve

Conditions:



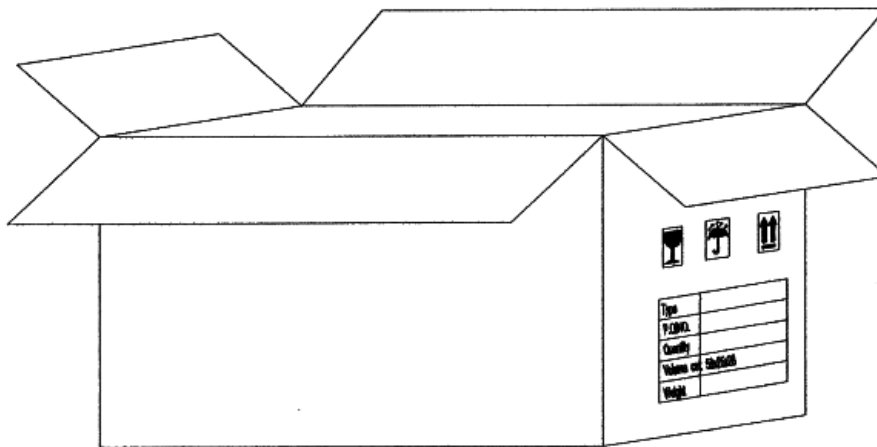
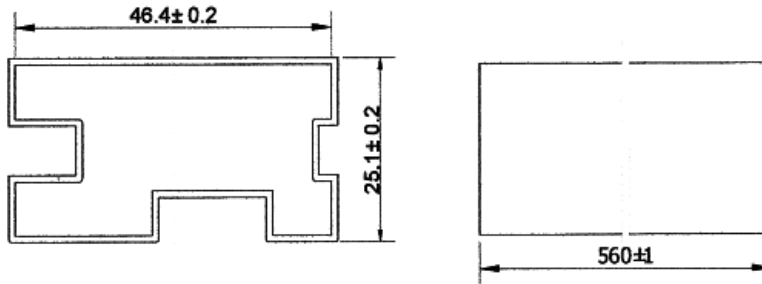
GREWUS		dimensions without tolerance:	scale:	
Designed by: Ralf Hinnerichs	21.11.2007	part number: SH3732FA	index:	Date:
Released by: Ralf Hinnerichs	21.11.2007		A	21.11.2007
drawing number: 394073789		Loudspeaker	Page 2 of 4	

3. Component drawing



GREWUS		dimensions without tolerance:		scale:	
Designed by:	Ralf Hinnerichs	21.11.2007	part number:	index:	Date:
Released by:	Ralf Hinnerichs	21.11.2007	SH3732FA	A	21.11.2007
drawing number: 394073789			Loudspeaker		Page3 of 4

4. Packageing drawing



Carton

Size: 58 X 25 X 28cm

Smalest unit:

Quantity: 700pcs per carton

quantity smalest unit: 14pcs per magazine

Weight:

further packageing information: 50pcs magazine per carton

GREWUS		dimensions without tolerance:	scale:	
Designed by: Ralf Hinnerichs	21.11.2007	part number:	index:	Date:
Released by: Ralf Hinnerichs	21.11.2007	SH3732FA	A	21.11.2007
drawing number: 394073789		Loudspeaker		Page 4 of 4