

1. General

Operating temperature: -40°C to +85°C Component weight [g]:
 Storage temperature: -40°C to +85°C
 Contact: Terminal Housing color: frame black,
 Packageing: tray IP rating: n.a.
 ESD conform RoHs conform: yes
 Remark: size 50 * 18.5mm, terminals Soldertages (acc.DIN46244)
 dimension 2.8*0.5mm



2. Electrical and acoustical specification

Impedance [Ω] at 1kHz 50 ± 7.5
 Resonant frequency [Hz] 360 ± 20%
 Frequency range [Hz] 360 - 3400

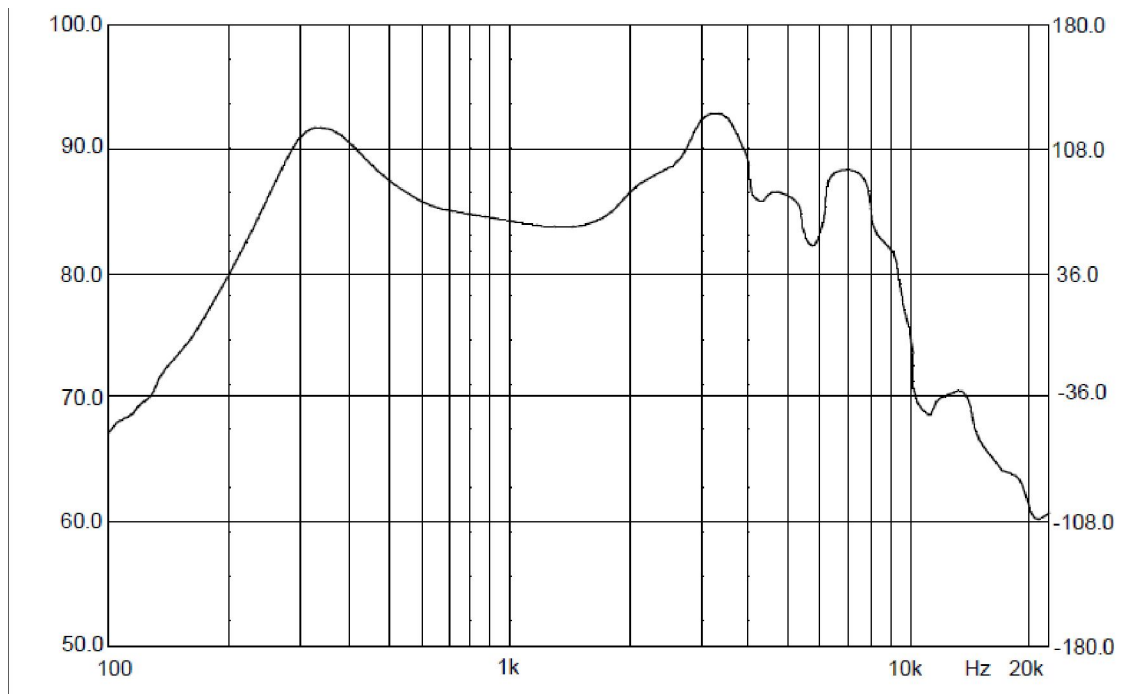
 SPL [dB]: 1m / 1W at 1kHz ≥ 83
 Rated input power [W] 0,5
 Maximum input power [W] 1
 Buzz and rattle must be normal at sine wave 3.54 V
 Magnet material Ferro

 Polarity:
 Remark: T.H.D (frequency: 500Hz, input power: 0.1w) <5 %

GREWUS		dimensions without tolerance:	scale:	
Designed by: Ralf Hinnerichs	04.11.2008	part number: SO5050L-01B	index:	Date:
Released by: Ralf Hinnerichs	04.11.2008		B	04.11.2008
drawing number: 397565879		Loudspeaker		Page 1 of 4

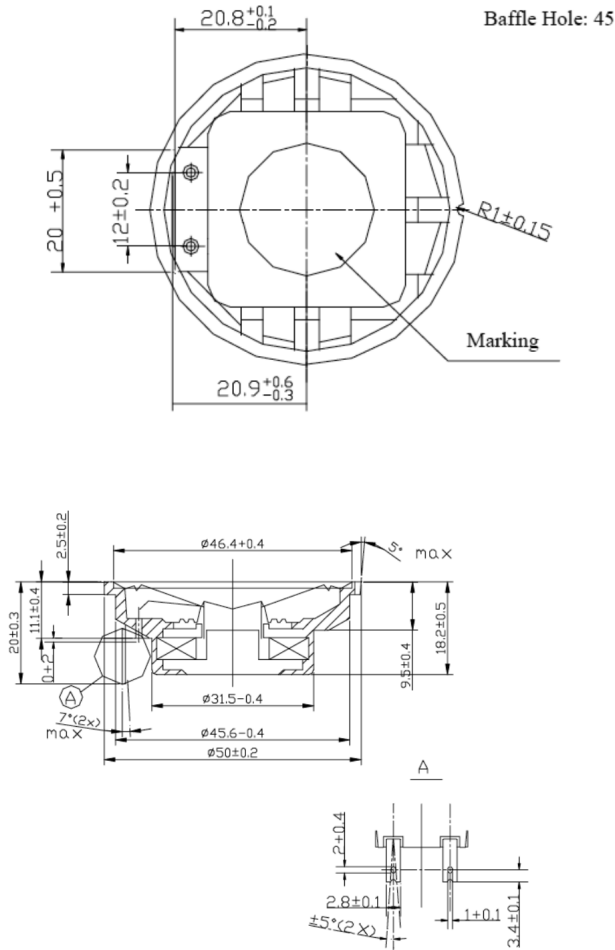
Frequency curve

Conditions:



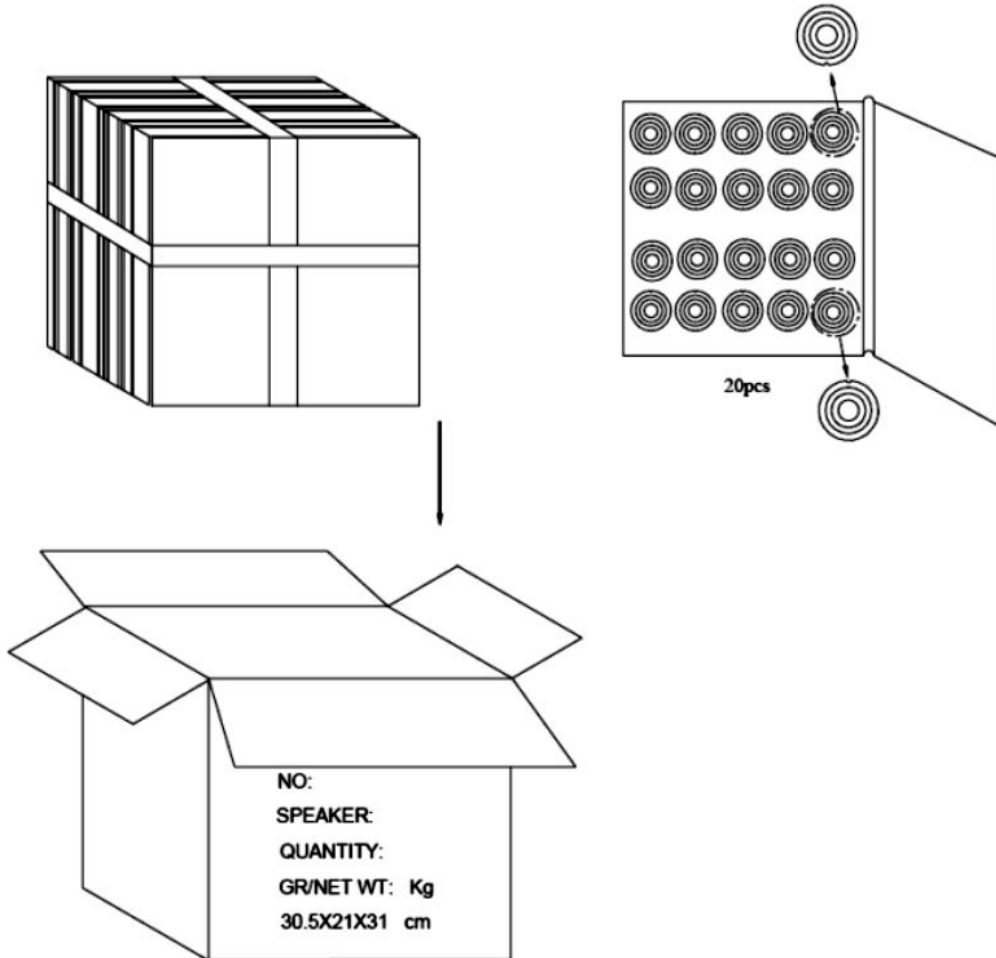
GREWUS		dimensions without tolerance:	scale:	
Designed by: Ralf Hinnerichs	04.11.2008	part number: SO5050L-01B	index:	Date:
Released by: Ralf Hinnerichs	04.11.2008		B	04.11.2008
drawing number: 397565879		Loudspeaker		Page 2 of 4

3. Component drawing



GREWUS		dimensions without tolerance:		scale:	
Designed by:	Ralf Hinnerichs	04.11.2008	part number:	index:	Date:
Released by:	Ralf Hinnerichs	04.11.2008	SO5050L-01B	B	04.11.2008
drawing number: 397565879			Loudspeaker		Page3 of 4

4. Packageing drawing



Carton

Size: 30,5x21x31

Smalest unit:

Quantity: 140

quantity smalest unit: 20 pcs / tray

Weight:

further packageing information: 7 tray / carton

GREWUS		dimensions without tolerance:	scale:	
Designed by: Ralf Hinnerichs	04.11.2008	part number:	index:	Date:
Released by: Ralf Hinnerichs	04.11.2008	SO5050L-01B	B	04.11.2008
drawing number: 397565879		Loudspeaker		Page 4 of 4