

1. General

Operating temperature:	-40°C to +80°C	Component weight [g]:	30
Storage temperature:	-40°C to +80°C		
Contact:	Terminal	Housing color:	metal
Packageing:	box	IP rating:	
ESD conform	<input type="checkbox"/>	RoHs conform:	yes
Remark:	storage temperature +105°C for 1h, size Ø50*17.0mm		



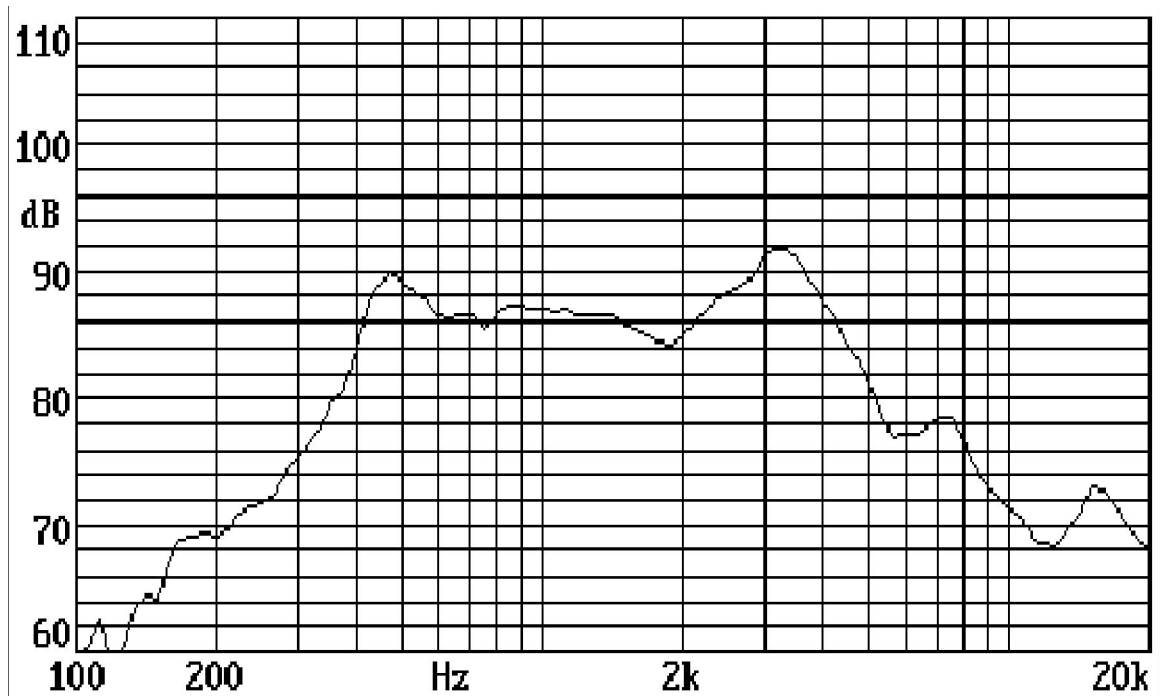
2. Electrical and acoustical specification

Impedance [Ω]		80 ± 15%
Resonance frequency [Hz]		450 ± 90
Frequency range [Hz]		fo...3500
SPL [dB]:	(0.3W,1m) at 1K Hz	78 ± 2
Rated input power [W]		0,3
Maximum input power [W]		0,5
Buzz and rattle	<i>must be normal at sine wave 4.8V</i>	
Magnet material		Nd-Fe-B Ø12.5 x1.5mm
Membrane material	<i>paper</i>	
Polarity:	<i>Positive voltage to (+) the diaphragm moves forward</i>	
Remark:	iron frame	

GREWUS		dimensions without tolerance: ± 0.3	scale:	
Designed by: Ralf Hinnerichs	24.04.2008	part number: SO5080LA	index:	Date:
Released by: Ralf Hinnerichs	24.04.2008		A	24.04.2008
drawing number: 395627000		Loudspeaker	Page 1 of 4	

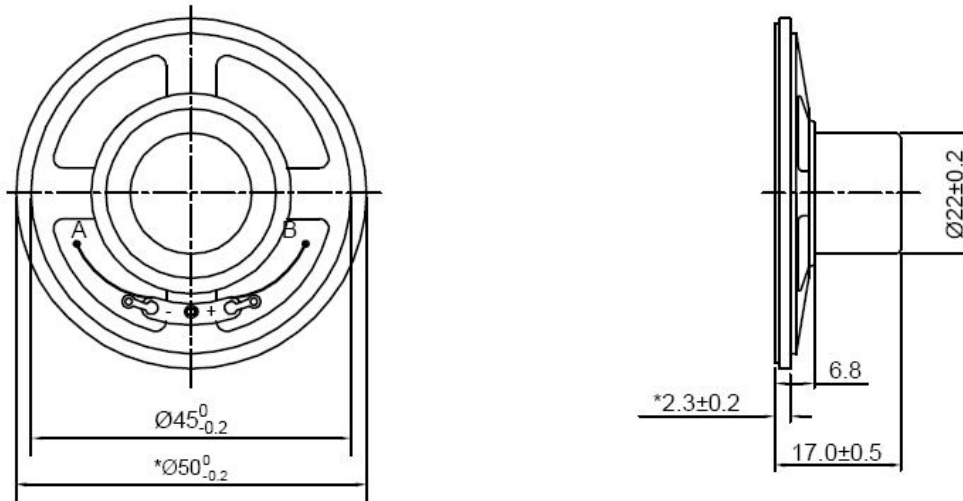
Frequency curve

Conditions:



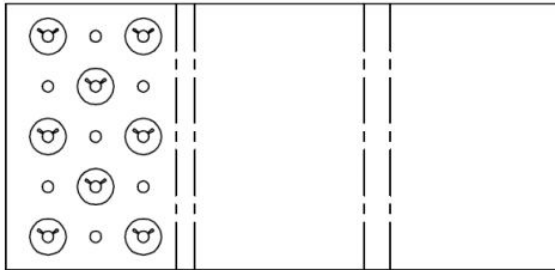
GREWUS		dimensions without tolerance: ± 0.3	scale:	
Designed by: Ralf Hinnerichs	24.04.2008	part number: SO5080LA	index:	Date:
Released by: Ralf Hinnerichs	24.04.2008		A	24.04.2008
drawing number: 395627000		Loudspeaker		Page 2 of 4

3. Component drawing

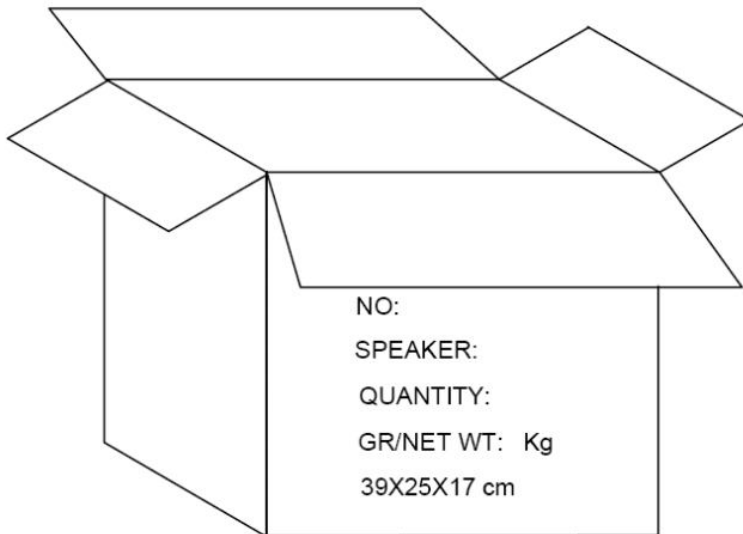


GREWUS		dimensions without tolerance: ± 0.3	scale:	
Designed by: Ralf Hinnerichs	24.04.2008	part number: SO5080LA	index:	Date:
Released by: Ralf Hinnerichs	24.04.2008		A	24.04.2008
drawing number: 395627000		Loudspeaker		Page3 of 4

4. Packageing drawing



15pcs



Carton

Size:

Smalest unit:

Quantity: 210

quantity smalest unit:

Weight:

further packageing information: 14 trays per carton, 210pcs per carton, each board packed interlaced

GREWUS		dimensions without tolerance: ± 0.3	scale:	
Designed by: Ralf Hinnerichs	24.04.2008	part number: SO5080LA	index:	Date:
Released by: Ralf Hinnerichs	24.04.2008		A	24.04.2008
drawing number: 395627000		Loudspeaker		Page 4 of 4