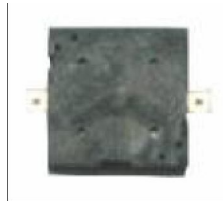


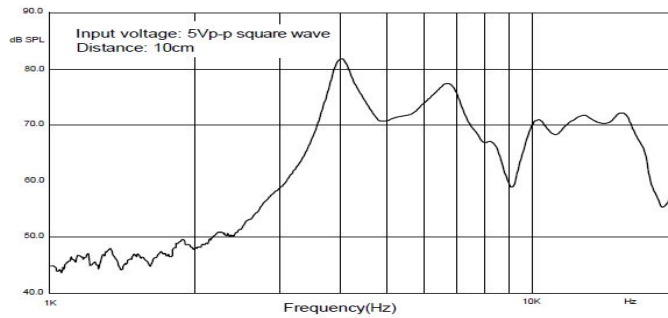
**1. General**

Operating temperature:	-40°C to +105°C	Component weight [g]:	0,5
Storage temperature:	-40°C to +105°C		
Contact:	SMD	Housing color:	black
Packageing:	tor	IP rating:	
ESD conform	<input checked="" type="checkbox"/>	RoHs conform:	yes
Remark:	reflowable		



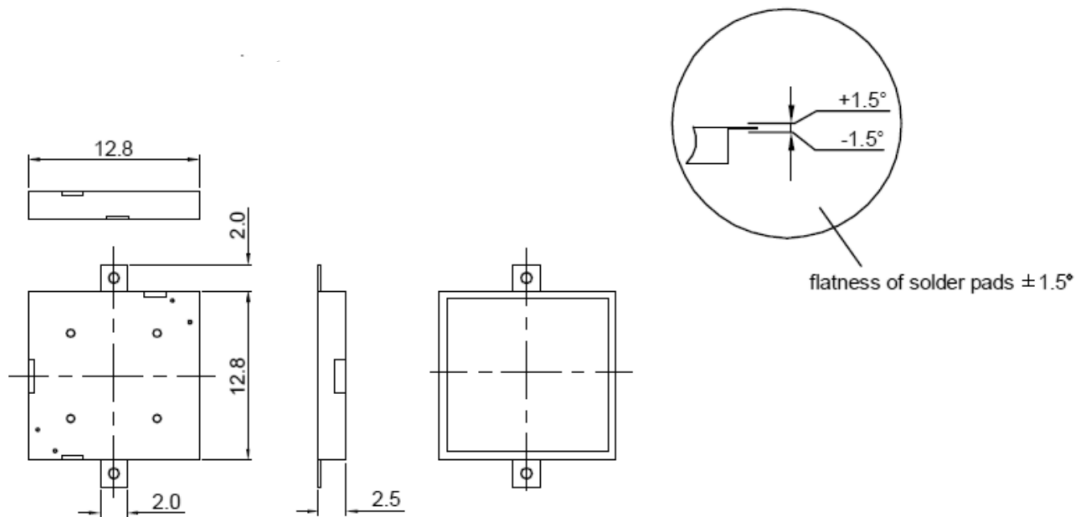
**2. Electrical and acoustical specification**

Resonant frequency [Hz]		4100 ± 500
Capacity [nF] at 120Hz		16 ± 30%
Rated voltage [V]		5
Operating voltage [V]		1 - 25
SPL [dBA]:	4.1 kHz, 10 cm, square wave 50% duty cycle	≥ 75
Current consumption [mA]	5 Vpp, 4.1 kHz, square wave 50% duty cycle	≤ 5
Tone constant-pulse:		
Polarity:		
Remark:		
frequency curve:		

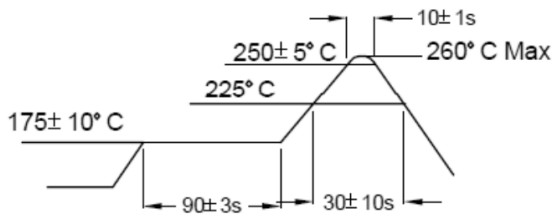


<b>GREWUS</b>		dimensions without tolerance:	scale:	
Designed by:	Ralf Hinnerichs	11.03.2009	part number:	index:
Released by:	Ralf Hinnerichs	11.03.2009	<b>BPE1305S-02A</b>	Date:
drawing number: <b>398838276</b>			<b>Buzzer</b>	11.03.2009
				Page 1 of 3

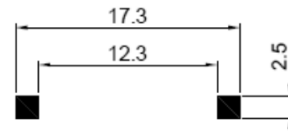
3. Component drawing



Recommended Temp. Profile for Reflow Oven



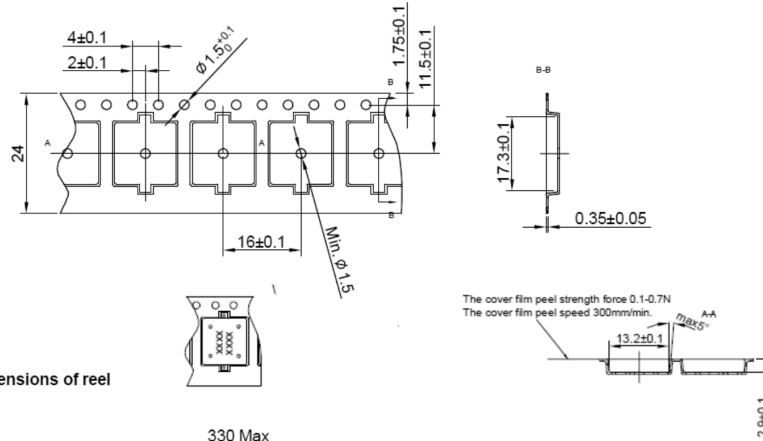
land pattern



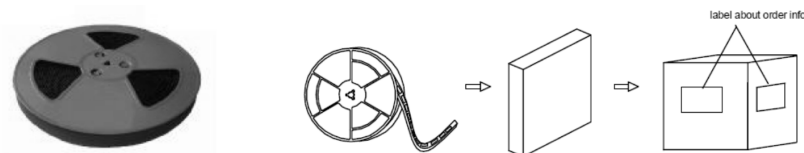
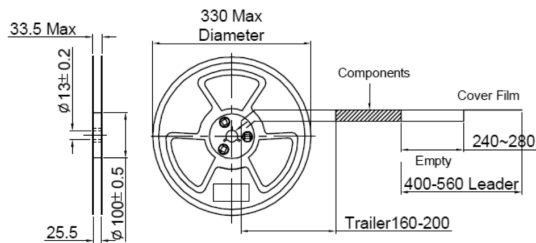
<b>GREWUS</b>		dimensions without tolerance:	scale:	
Designed by: Ralf Hinnerichs	11.03.2009	part number:	index:	Date:
Released by: Ralf Hinnerichs	11.03.2009	<b>BPE1305S-02A</b>	<b>A</b>	11.03.2009
drawing number: <b>398838276</b>		<b>Buzzer</b>		Page 2 of 3

4. Packageing drawing

Dimensions of carrier tape



Dimensions of reel



Carton

Size: 38 x 28 x 37 cm

Smallest unit: reel

Quantity: 5000 pcs / carton

quantity smallest unit: 1000 pcs / reel

Weight:

further packageing information: 5 reels / carton

<b>GREWUS</b>		dimensions without tolerance:		scale:	
Designed by: Ralf Hinnerichs	11.03.2009	part number:		index:	Date:
Released by: Ralf Hinnerichs	11.03.2009	<b>BPE1305S-02A</b>		<b>A</b>	11.03.2009
drawing number: <b>398838276</b>				<b>Buzzer</b>	
				Page 3 of 3	