

1. General

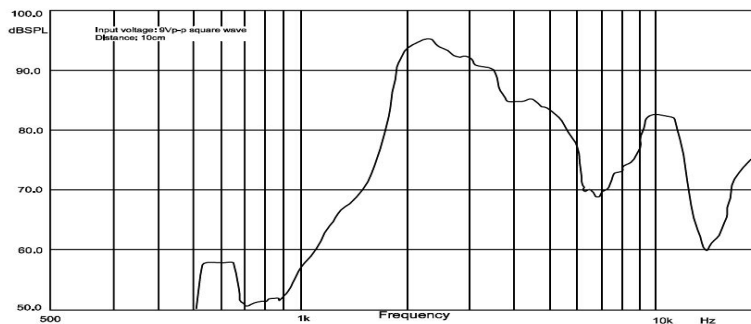
Operating temperature:	-40°C to +85°C	Component weight [g]:	5
Storage temperature:	-40°C to +85°C		
Contact:	PIN	Housing color:	black
Packageing:	tray	IP rating:	
ESD conform	<input type="checkbox"/>	RoHs conform:	yes
Remark:			



2. Electrical and acoustical specification

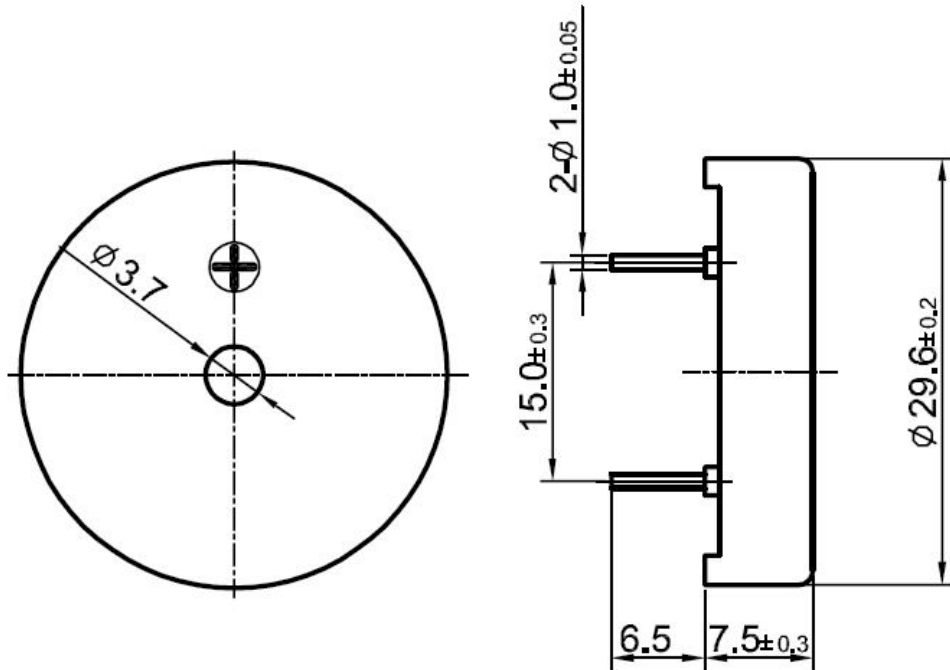
Resonance frequency		2500
Capacity [nF] at 120Hz		20 ± 30%
Rated voltage [V]		9
Operating voltage [V]		1 - 30
SPL:	<i>with trigger voltage 9Vop, square wave, 2500Hz, 10 cm distance</i>	≥ 90
Current consumption [mA]	<i>with trigger voltage 9Vop, square wave, 2500Hz</i>	≤ 5
Tone constant-pulse:		
Polarity:		
Remark:		

frequency curve:



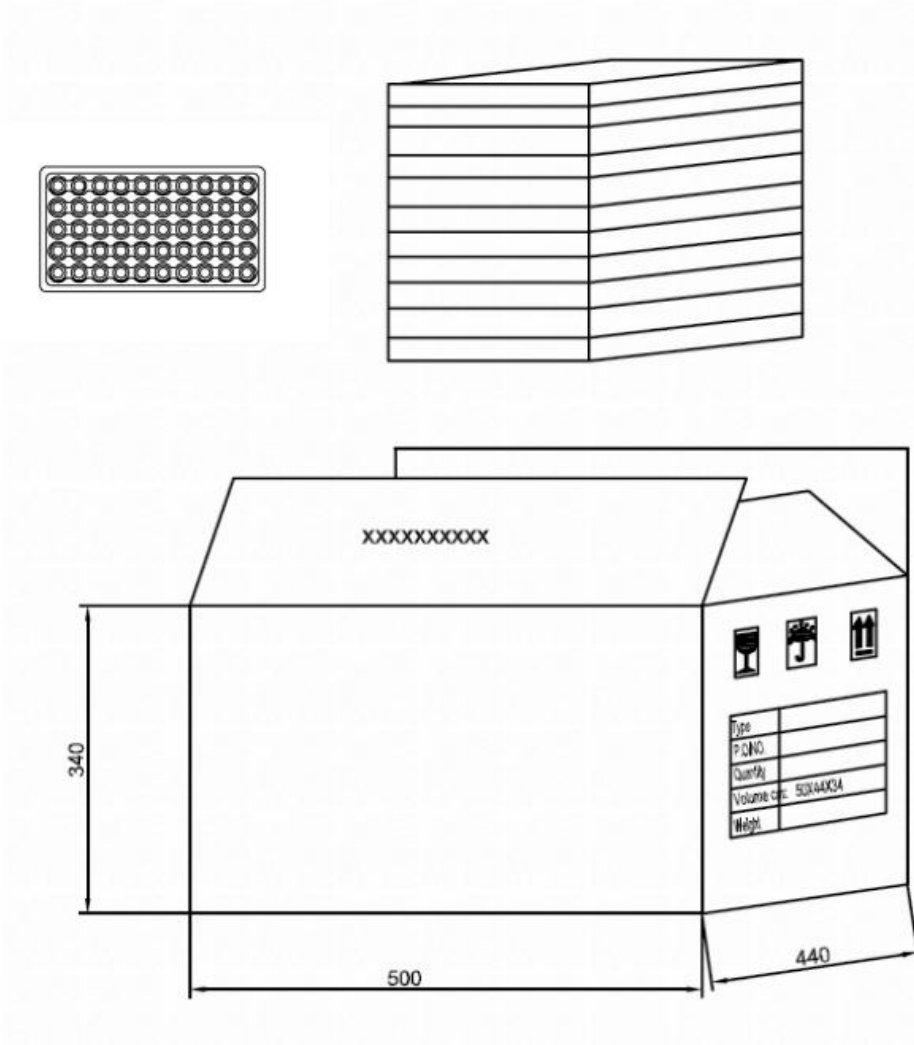
GREWUS		dimensions without tolerance:	± 0.3	scale:
Designed by:	Ralf Hinnerichs	07.11.2007	part number:	index: Date:
Released by:	Ralf Hinnerichs	07.11.2007	BPE3009P-01A	A 07.11.2007
drawing number: 393936139		Buzzer		Page 1 of 3

3. Component drawing



GREWUS		dimensions without tolerance: ± 0.3	scale:	
Designed by: Ralf Hinnerichs	07.11.2007	part number: BPE3009P-01A	index:	Date:
Released by: Ralf Hinnerichs	07.11.2007		A	07.11.2007
drawing number: 393936139		Buzzer	Page 2 of 3	

4. Packageing drawing



Carton

Size: 50 x 44 x 34cm

Smalest unit:

Quantity: 2000 pcs / carton

quantity smalest unit: 50 pcs / tray

Weight:

further packageing information: 40 trays / Carton

GREWUS		dimensions without tolerance: ± 0.3	scale:	
Designed by: Ralf Hinnerichs	07.11.2007	part number: BPE3009P-01A	index:	Date:
Released by: Ralf Hinnerichs	07.11.2007		A	07.11.2007
drawing number: 393936139		Buzzer		Page 3 of 3